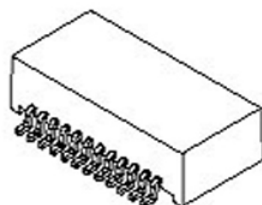


1000BaseT Single Port Transformer Module



- ★ Designed to meet IEEE802.3ab requirement
- ★ Operating temperature range: -0°C to +70°C
- ★ Reflow Condition :
 Maximum reflow temperature is 250°C/-5°C, time is 20~40 sec.
 (Refer to IPC/ JEDEC J-STD-020C standard).

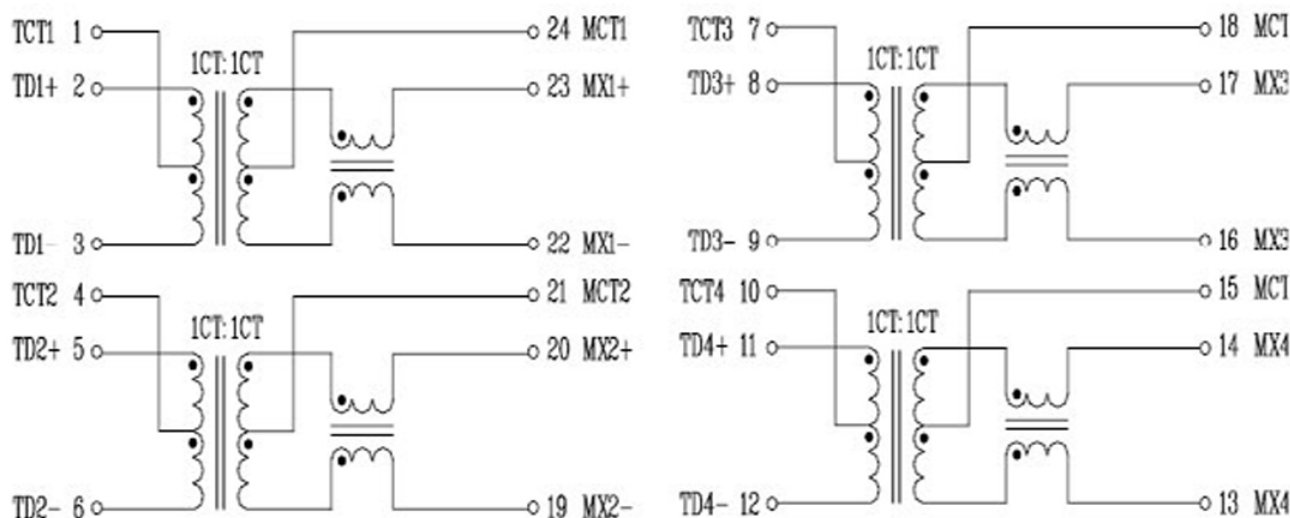
Specifications

Part Number	Turn Ratio (±5%)		OCL (uH min) @100KHz/0.1V with 8mA DC Bias	Insertion Loss (dB MAX) 1-100MHz	Isolation Voltage (Vrms) 1500/1sec
	TX	RX			
AG2403SC	1CT:1CT	1CT:1CT	350	-1.0	1500/1sec

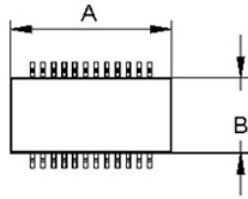
Specifications continue

Part Number	Return loss (dB min)@Load 100Ω					Cross talk (dB min)			DCMR (dB min)		
	1-30MHz	40MHz	50MHz	60-80MHz	100MHz	30MHz	60MHz	100MHz	30MHz	60MHz	100MHz
AG2403SC	-18	-14.4	-13.1	-12	-10	-45	-40	-35	-40	-35	-30

Schematic



Dimension



Unit: mm/inch

A= 15.10 / 0.594

B= 7.10 / 0.279 (max.)

C= 4.0 / 0.157 (max.)

D= 11.00 / 0.433

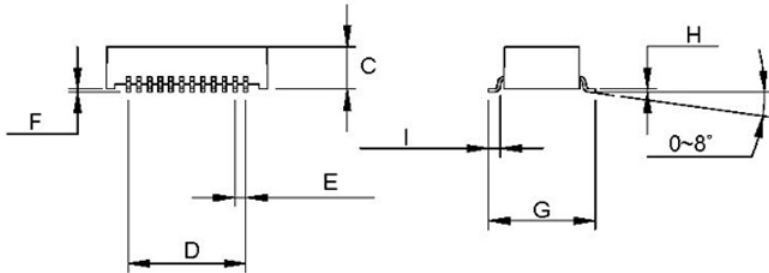
E= 1.00 / 0.039 ($\pm 0.15\text{mm}$)

F= 0.38 / 0.015 (typ.)

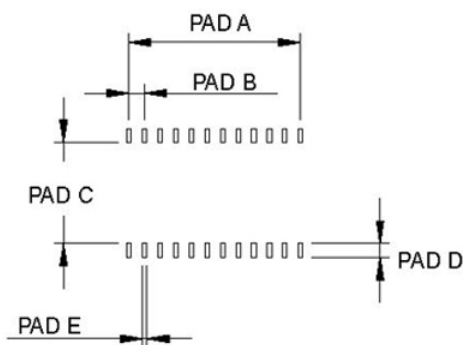
G= 10.00 / 0.394 (typ.)

H= 0.25 / 0.001 (typ.)

I= 0.80 / 0.031 (typ.)



Unless otherwise specified, all tolerance are $\pm 0.25\text{mm} / 0.010$ inch



Unit: mm/inch

PADA= 11.00 / 0.433

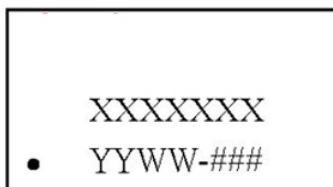
PADB= 1.00 / 0.0394

PADC= 8.1 / 0.324

PADD= 1.35 / 0.053

PADE= 0.6 / 0.024

Marking :



Remark:

XXXXXXXX=PART NUMBER

YYWW-###DATE CODE , YY=YEAR · WW=WEEK

###=Control Code

Revision	Realized By	Modification Description	Date	Last Pages
C	PaulSu	Dimension updated	09-09-2012	2
D	Jason	Dimension updated	03-07-2013	2