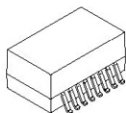


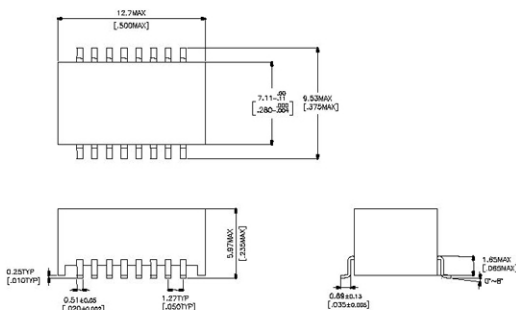
10/100 Small Package Transformer module



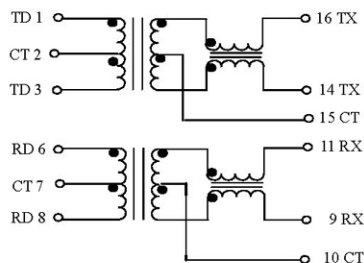
- ★ Designed to meet IEEE802.3u requirement
- ★ Primary inductance 350μH min. with 8mA DC Bias
- ★ Operating temperature range: 0°C to +70°C
- ★ Reflow Condition : Maximum reflow temperature is 250°C/-5°C, time is 20~40 sec. (Refer to IPC/ JEDEC J-STD-020C standard).

Specifications										
Part Number	Turn Ratio		Insertion Loss 0.1~100MHz (dB MAX)	Return Loss (MHz)			CMRR (dB)			Hi-Pot (Vrms MIN)
	Tx	Rx		30MHz	60MHz	80MHz	30MHz	50MHz	100MHz	
AG 9001C	1:1	1:1	1.1	-20db	-14dB	-11.5dB	-42db	-37dB	-33dB	1500

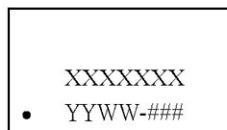
Dimension



Schematic



MARKING



Unless otherwise specified, all tolerances are as following
 XXXX.XX +/- 5 mm
 XXX.XX +/- 2 mm
 XX.XX +/- 1mm
 X.XX +/- 0.25 mm
 0.XX +/- 0.05 mm

Remark:
 XXXXXXXX=PART NUMBER
 YYWW-###DATE CODE , YY=YEAR · WW=WEEK
 ###= Control Code

Data sheet subject to change without notice