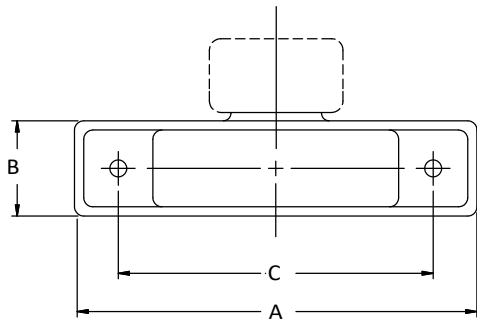
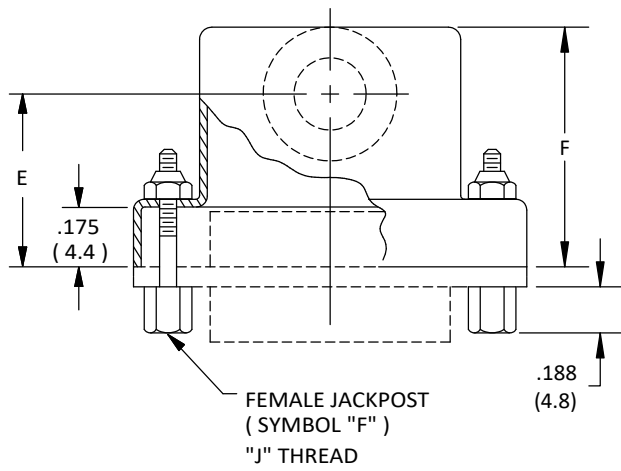
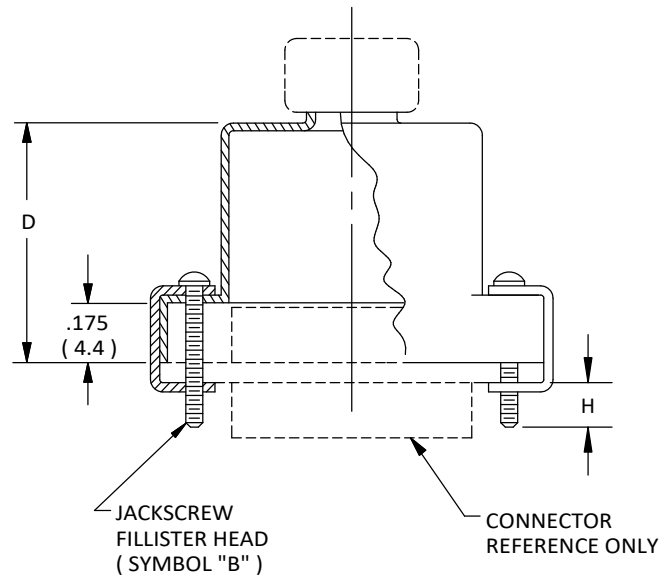


STYLE E - 45° ENTRY



STYLE S - SIDE ENTRY



STYLE T - TOP ENTRY

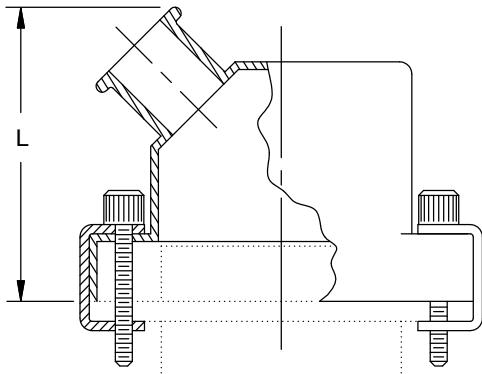
TOLERANCE: .XXX ±.005
.XX ±.01
ANGLE ±1°

TITLE
EMI/STRAIN RELIEF
MICRO BACKSHELL

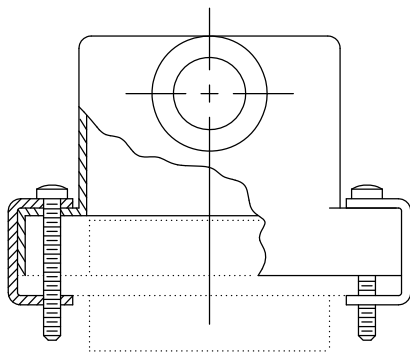
SHT 1 OF 3

DWG. NO.
BSM

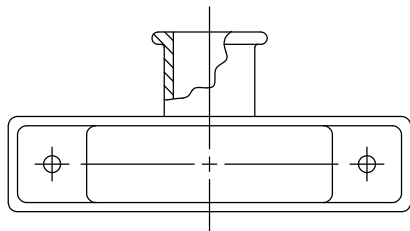
REV
M



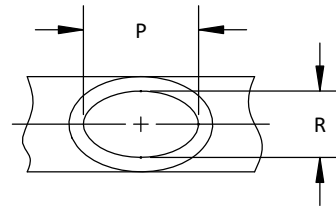
STYLE E - 45° ENTRY



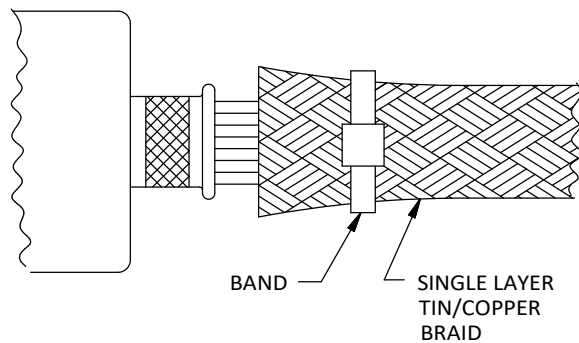
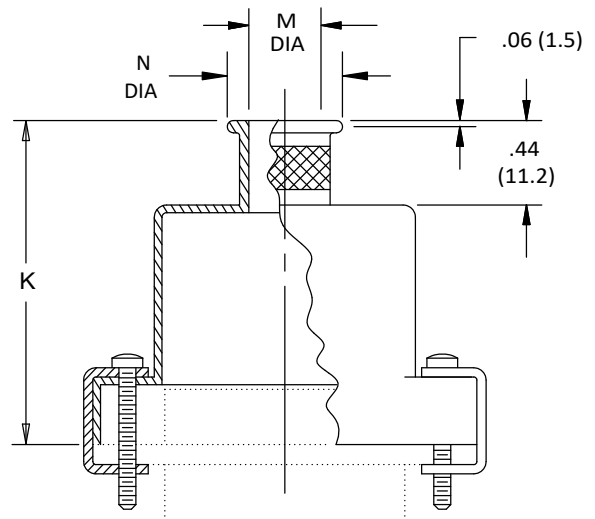
STYLE T - TOP ENTRY



STYLE S - SIDE ENTRY



STYLE V - TOP OVAL ENTRY



TOLERANCE: .XXX ±.005
.XX ±.01
ANGLE ±1°

TITLE

EMI/STRAIN RELIEF
MICRO BACKSHELL

SHT 2 OF 3

DWG. NO.

BSM

REV

M

TABLE I

SHELL SIZE CODE	A MAX	B MAX	C	D	E	F	G MAX	H	J THREAD
09	.775(19.7)	.38(9.7)	.565(14.4)	.32(8.1)	.435(11.1)	.637(16.2)	.680(17.3)	.154(3.9)	2-56UNC-2
15	.925(23.5)	.38(9.7)	.715(18.2)	.44(11.2)	.440(11.2)	.673(17.1)	.730(18.5)	.154(3.9)	2-56UNC-2
21	1.075(27.3)	.38(9.7)	.865(22.0)	.56(14.2)	.458(11.6)	.707(18.0)	.765(19.4)	.154(3.9)	2-56UNC-2
25	1.175(29.8)	.38(9.7)	.965(24.5)	.62(15.7)	.483(12.3)	.748(19.0)	.830(21.1)	.154(3.9)	2-56UNC-2
31	1.325(33.7)	.38(9.7)	1.115(28.3)	.68(17.3)	.476(12.1)	.756(19.2)	.890(22.6)	.154(3.9)	2-56UNC-2
37	1.475(37.5)	.38(9.7)	1.265(32.1)	.72(18.3)	.478(12.1)	.774(19.7)	.955(24.3)	.154(3.9)	2-56UNC-2
51	1.425(36.2)	.42(10.7)	1.215(30.9)	.75(19.1)	.548(13.9)	.859(21.8)	1.005(25.5)	.154(3.9)	2-56UNC-2
69	1.730(43.9)	.42(10.7)	1.515(38.4)	.75(19.1)	.548(13.9)	.859(21.8)	1.005(25.5)	.154(3.9)	2-56UNC-2
100	2.160(54.9)	.47(11.9)	1.800(45.7)	.81(20.6)	.687(17.5)	1.014(25.8)	1.080(27.4)	.154(3.9)	4-40UNC-2

TABLE I (CONT'D)

SHELL SIZE	K ±.03 (.8)	L MAX	MAX ENTRY (TABLE 2)
09	.78(19.8)	1.00(25.4)	08
15	.91(23.1)	1.03(26.2)	08
21	1.03(26.2)	1.05(26.7)	08
25	1.09(27.7)	1.09(27.7)	08
31	1.15(29.2)	1.13(28.7)	09
37	1.19(30.2)	1.23(31.2)	09
51	1.22(31.0)	1.25(31.8)	10
69	1.22(31.0)	1.25(31.8)	10
100	1.28(32.5)	1.32(33.5)	12

TABLE II

DASH NO.	M ENTRY	N DIAMETER
04	.125 (3.2)	.281 (7.1)
05	.156 (4.0)	.312 (7.9)
06	.188 (4.8)	.344 (8.7)
07	.219 (5.6)	.375 (9.5)
08	.250 (6.4)	.406 (10.3)
09	.281 (7.1)	.437 (11.1)
10	.312 (7.9)	.469 (11.9)
11	.344 (8.7)	.500 (12.7)
12	.375 (9.5)	.531 (13.5)

METRIC DIMENSIONS (mm) ARE INDICATED IN PARENTHESES

NOTE:

ENTRY DIAMETERS DEPICTED IN TABLE II ARE THE LARGEST CIRCULAR ENTRIES POSSIBLE IN A GIVEN SHELL THICKNESS. DEPENDING UPON NUMBER AND SIZE OF CONDUCTORS NEEDED, AN OVAL ENTRY STYLE MAY BE REQUIRED.

CONTACT CRISTEK FOR AVAILABILITY.

TABLE III

SYMBOL	QTY	JACKSCREW TYPE
B	(2)	MALE FILLISTER HEAD
H	(2)	MALE HEX SOCKET
F	(2)	FEMALE JACKPOST
FB	(1)	FEMALE JACKPOST
	(1)	MALE FILLISTER HEAD
FH	(1)	FEMALE JACKPOST
	(1)	MALE HEX SOCKET

TABLE IV

SHELL SIZE	P DIA	R DIA
09	.312(7.9)	.281(7.1)
15	.420(10.7)	.281(7.1)
21	.591(15.0)	.281(7.1)
25	.690(17.5)	.281(7.1)
31	.820(20.8)	.281(7.1)
37	.970(24.6)	.281(7.1)
51	.920(23.4)	.312(7.9)
69	1.220(31.0)	.312(7.9)
100	1.290(32.8)	.360(9.1)

BSM X 010 X XXX XX XX

MICRO BACKSHELL _____
CONNECTORS (MATE WITH M83513)
MACHINED ALUMINUM PER QQ-A-200,
225 / ASTM B 211 / 221

CABLE ENTRY STYLE _____

- T = TOP ENTRY
- V = TOP OVAL ENTRY
- E = 45° ENTRY
- S = SIDE ENTRY

BASIC SERIES _____

FINISH _____

- B = CADMIUM, OLIVE DRAB PER AMS-QQ-P-416, TYPE II, CLASS 3
- M = ELECTROLESS NICKEL PER AMS 2404
- T = CADMIUM PLATE PER AMS-QQ-P-416, TYPE II (YELLOW CHROMATE) CLASS 3 OVER ELECTROLESS NICKEL PER AMS 2404

SHELL SIZE (TABLE I) _____

JACKSCREW (TABLE III) _____

ENTRY (TABLE II) _____

(OMIT FROM P/N FOR OVAL ENTRY - SEE TABLE IV FOR SIZES)

TOLERANCE: .XXX ±.005
.XX ±.01
ANGLE ±1°

TITLE

EMI/STRAIN RELIEF
MICRO BACKSHELL

SHT 3 OF 3

DWG. NO.

BSM

REV

M