

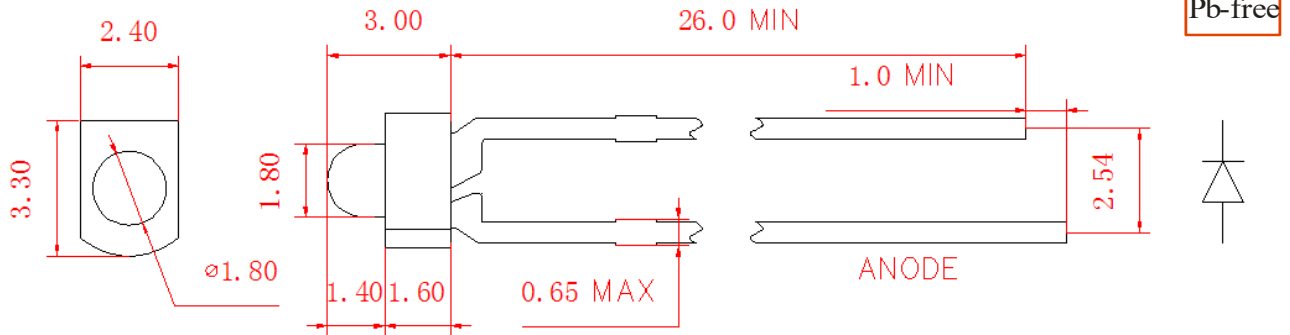


# ABC COIL ELECTRONIC LIMITED

<https://www.abccoil.com>

email: sales@abccoil.com

## THROUGH-HOLE LED



P/N	DICE MATERIALS	EMITTED COLOR	LENS COLOR	$\lambda$ D (nm)	Iv(mcd) @20mA		VIEW ANGLE
					MIN.	TYP.	
AC-261SR1W10-50	AlGaAs	Red	Water Clear	645	30	50	10
AC-261UR2W10-500	AlGaInP	Red	Water Clear	625	300	500	10
AC-261UA2W10-500	AlGaInP	Amber	Water Clear	605	300	500	10
AC-261UY2W10-500	AlGaInP	Yellow	Water Clear	592	300	500	10
AC-261UG1W10-500	AlGaInP	Yellow Green	Water Clear	572	200	500	10
AC-261PG24W10-1000	InGaN	Pure Green	Water Clear	525	700	1000	10
AC-261BL1W10-500	InGaN	Blue	Water Clear	465	300	500	10
AC-261PW1W10-1000	InGaN	White	Water Clear	6000k	700	1000	10
AC-261SR1D50-10	AlGaAs	Red	Red Diffused	645	5	15	50
AC-261UR2D50-100	AlGaInP	Red	Red Diffused	625	50	100	50
AC-261UA2D50-100	AlGaInP	Amber	Orange Diffused	605	40	100	50
AC-261UY2D50-100	AlGaInP	Yellow	Yellow Diffused	592	50	100	50
AC-261UG1D50-80	AlGaInP	Yellow Green	Green Diffused	572	40	80	50
AC-261PG24D50-100	InGaN	Pure Green	Green Diffused	525	50	100	50
AC-261BL1D50-80	InGaN	Blue	Blue Diffused	465	40	80	50
AC-261PW1M50-100	InGaN	White	Milky	6000k	50	100	50

Notes:

1. All dimensions are in millimeters (inches).
2. Tolerance is  $\pm 0.25\text{mm}(0.01")$  unless otherwise noted.

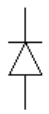
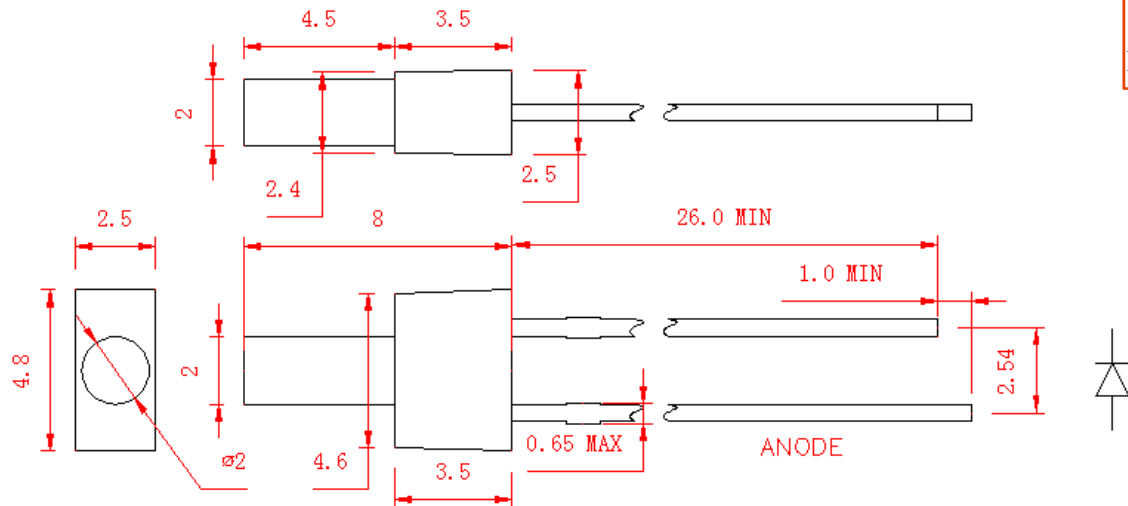


# ABC COIL ELECTRONIC LIMITED

<https://www.abccoil.com>

email: [sales@abccoil.com](mailto:sales@abccoil.com)

## THROUGH-HOLE LED



P/N	DICE MATERIALS	EMITTED COLOR	LENS COLOR	$\lambda$ D (nm)	Iv(mcd) @20mA		VIEW ANGLE
					MIN.	TYP.	
AC-262SR1W60-50	AlGaAs	Red	Water Clear	645	30	50	60
AC-262UR2W60-300	AlGaInP	Red	Water Clear	625	100	300	60
AC-262UA2W60-300	AlGaInP	Amber	Water Clear	605	100	300	60
AC-262UY2W60-300	AlGaInP	Yellow	Water Clear	592	100	300	60
AC-262UG1W60-200	AlGaInP	Yellow Green	Water Clear	572	100	200	60
AC-262PG24W60-1000	InGaN	Pure Green	Water Clear	525	500	1000	60
AC-262BL1W60-300	InGaN	Blue	Water Clear	465	100	300	60
AC-262PW1W60-500	InGaN	White	Water Clear	6000k	500	1000	60
AC-262SR1D100-10	AlGaAs	Red	Red Diffused	645	5	10	100
AC-262UR2D100-50	AlGaInP	Red	Red Diffused	625	20	50	100
AC-262UA2D100-50	AlGaInP	Amber	Orange Diffused	605	20	50	100
AC-262UY2D100-50	AlGaInP	Yellow	Yellow Diffused	592	20	50	100
AC-262UG1D100-30	AlGaInP	Yellow Green	Green Diffused	572	20	50	100
AC-262PG24D100-200	InGaN	Pure Green	Green Diffused	525	100	200	100
AC-262BL1D100-50	InGaN	Blue	Blue Diffused	465	20	50	100
AC-262PW1M100-200	InGaN	White	Milky	6000k	100	200	100

### Notes:

1. All dimensions are in millimeters (inches).
2. Tolerance is  $\pm 0.25\text{mm}(0.01\text{'})$  unless otherwise noted.

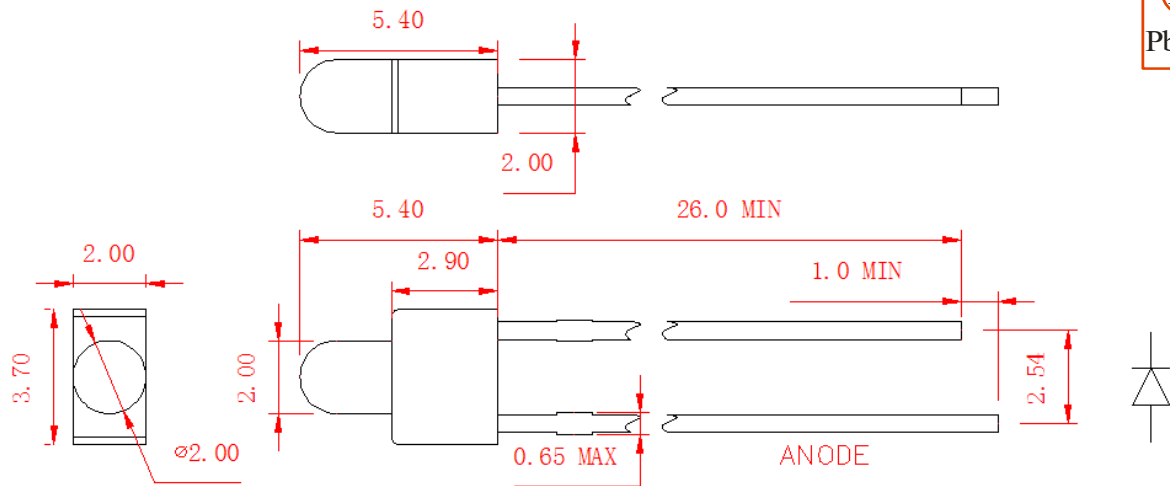


# ABC COIL ELECTRONIC LIMITED

<https://www.abccoil.com>

email: [sales@abccoil.com](mailto:sales@abccoil.com)

## THROUGH-HOLE LED



P/N	DICE MATERIALS	EMITTED COLOR	LENS COLOR	$\lambda$ D (nm)	Iv(mcd) @20mA		VIEW ANGLE
					MIN.	TYP.	
AC-263SR1W10-50	AlGaAs	Red	Water Clear	645	20	50	10
AC-263UR2W10-300	AlGaInP	Red	Water Clear	625	100	300	10
AC-263UA2W10-300	AlGaInP	Amber	Water Clear	605	100	300	10
AC-263UY2W10-300	AlGaInP	Yellow	Water Clear	592	100	300	10
AC-263UG1W10-300	AlGaInP	Yellow Green	Water Clear	572	100	300	10
AC-263PG24W10-1000	InGaN	Pure Green	Water Clear	525	500	1000	10
AC-263BL1W10-300	InGaN	Blue	Water Clear	465	100	300	10
AC-263PW1W10-1000	InGaN	White	Water Clear	6000k	500	1000	10
AC-263SR1D40-10	AlGaAs	Red	Red Diffused	645	5	10	40
AC-263UR2D40-50	AlGaInP	Red	Red Diffused	625	20	50	40
AC-263UA2D40-50	AlGaInP	Amber	Orange Diffused	605	20	50	40
AC-263UY2D40-50	AlGaInP	Yellow	Yellow Diffused	592	20	50	40
AC-263UG1D40-50	AlGaInP	Yellow Green	Green Diffused	572	20	50	40
AC-263PG24D40-200	InGaN	Pure Green	Green Diffused	525	100	200	40
AC-263BL1D40-50	InGaN	Blue	Blue Diffused	465	20	50	40
AC-263PW1M40-200	InGaN	White	Milky	6000k	100	200	40

### Notes:

1. All dimensions are in millimeters (inches).
2. Tolerance is  $\pm 0.25\text{mm}(0.01\text{'})$  unless otherwise noted.

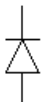
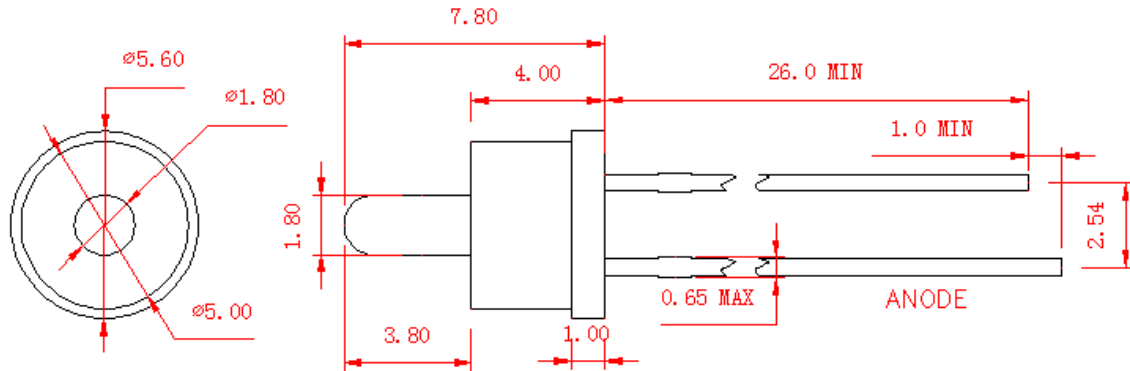


# ABC COIL ELECTRONIC LIMITED

<https://www.abccoil.com>

email: [sales@abccoil.com](mailto:sales@abccoil.com)

## THROUGH-HOLE LED



P/N	DICE MATERIALS	EMITTED COLOR	LENS COLOR	$\lambda$ D (nm)	Iv(mcd) @20mA		VIEW ANGLE
					MIN.	TYP.	
AC-264SR1W30-50	AlGaAs	Red	Water Clear	645	20	50	30
AC-264UR2W30-300	AlGaInP	Red	Water Clear	625	100	300	30
AC-264UA2W30-300	AlGaInP	Amber	Water Clear	605	100	300	30
AC-264UY2W30-300	AlGaInP	Yellow	Water Clear	592	100	300	30
AC-264UG1W30-300	AlGaInP	Yellow Green	Water Clear	572	100	300	30
AC-264PG24W30-1000	InGaN	Pure Green	Water Clear	525	500	1000	30
AC-264BL1W30-300	InGaN	Blue	Water Clear	465	100	300	30
AC-264PW1W30-1000	InGaN	White	Water Clear	6000k	500	1000	30
AC-264SR1D100-10	AlGaAs	Red	Red Diffused	645	5	10	100
AC-264UR2D100-50	AlGaInP	Red	Red Diffused	625	20	50	100
AC-264UA2D100-50	AlGaInP	Amber	Orange Diffused	605	20	50	100
AC-264UY2D100-50	AlGaInP	Yellow	Yellow Diffused	592	20	50	100
AC-264UG1D100-50	AlGaInP	Yellow Green	Green Diffused	572	20	50	100
AC-264PG24D100-200	InGaN	Pure Green	Green Diffused	525	100	200	100
AC-264BL1D100-50	InGaN	Blue	Blue Diffused	465	20	50	100
AC-264PW1M100-200	InGaN	White	Milky	6000k	100	200	100

Notes:

1. All dimensions are in millimeters (inches).
2. Tolerance is  $\pm 0.25\text{mm}(0.01\text{'})$  unless otherwise noted.

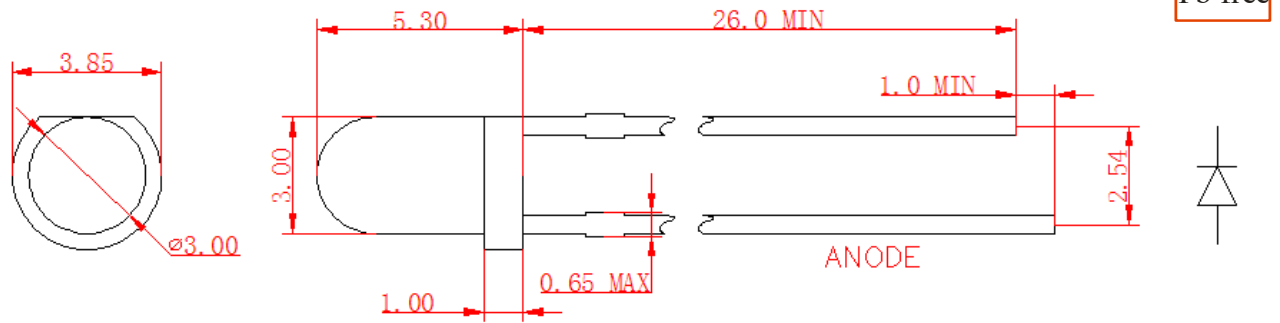


# ABC COIL ELECTRONIC LIMITED

<https://www.abccoil.com>

email: [sales@abccoil.com](mailto:sales@abccoil.com)

## THROUGH-HOLE LED



P/N	DICE MATERIALS	EMITTED COLOR	LENS COLOR	$\lambda$ D (nm)	Iv(mcd) @20mA		VIEW ANGLE
					MIN.	TYP.	
AC-30SR1W30-100	AlGaAs	Red	Water Clear	645	50	100	30
AC-30UR2W30-1000	AlGaInP	Red	Water Clear	625	500	1000	30
AC-30UA2W30-1000	AlGaInP	Amber	Water Clear	605	500	1000	30
AC-30UY2W30-1000	AlGaInP	Yellow	Water Clear	592	500	1000	30
AC-30UG1W30-1000	AlGaInP	Yellow Green	Water Clear	572	500	1000	30
AC-30PG24W30-3000	InGaN	Pure Green	Water Clear	525	1000	3000	30
AC-30BL1W30-1000	InGaN	Blue	Water Clear	465	500	1000	30
AC-30PW1W40-3000	InGaN	White	Water Clear	6000k	1000	3000	40
AC-30SR1D50-30	AlGaAs	Red	Red Diffused	645	10	30	50
AC-30UR2D50-300	AlGaInP	Red	Red Diffused	625	100	300	50
AC-30UA2D50-300	AlGaInP	Amber	Orange Diffused	605	100	300	50
AC-30UY2D50-300	AlGaInP	Yellow	Yellow Diffused	592	100	300	50
AC-30UG1D50-300	AlGaInP	Yellow Green	Green Diffused	572	100	300	50
AC-30PG24D50-1000	InGaN	Pure Green	Green Diffused	525	500	1000	50
AC-30BL1D50-300	InGaN	Blue	Blue Diffused	465	100	300	50
AC-30PW1M60-1000	InGaN	White	Milky	6000k	500	1000	60

### Notes:

1. All dimensions are in millimeters (inches).
2. Tolerance is  $\pm 0.25\text{mm}(0.01\text{'})$  unless otherwise noted.

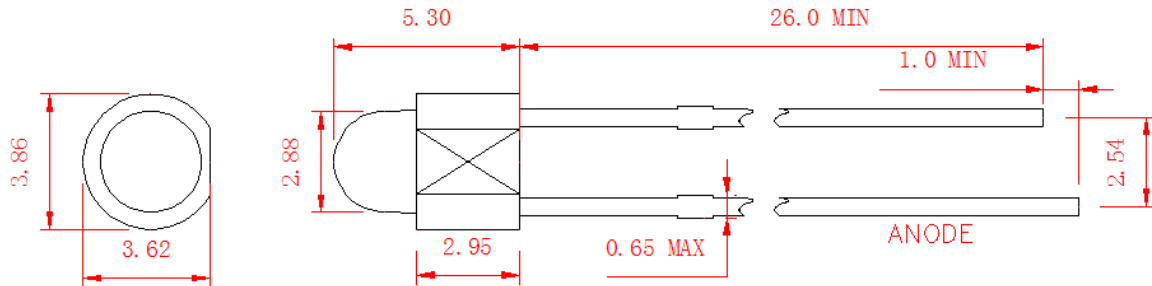


# ABC COIL ELECTRONIC LIMITED

<https://www.abccoil.com>

email: [sales@abccoil.com](mailto:sales@abccoil.com)

## THROUGH-HOLE LED



P/N	DICE MATERIALS	EMITTED COLOR	LENS COLOR	$\lambda$ D (nm)	Iv(mcd) @20mA		VIEW ANGLE
					MIN.	TYP.	
AC-302SR1W30-100	AlGaAs	Red	Water Clear	645	50	100	30
AC-302UR2W30-1000	AlGaInP	Red	Water Clear	625	500	1000	30
AC-302UA2W30-1000	AlGaInP	Amber	Water Clear	605	500	1000	30
AC-302UY2W30-1000	AlGaInP	Yellow	Water Clear	592	500	1000	30
AC-302UG1W30-1000	AlGaInP	Yellow Green	Water Clear	572	500	1000	30
AC-302PG24W30-3000	InGaN	Pure Green	Water Clear	525	1000	3000	30
AC-302BL1W30-1000	InGaN	Blue	Water Clear	465	500	1000	30
AC-302PW1W30-3000	InGaN	White	Water Clear	6000k	1000	3000	30
AC-302SR1D60-20	AlGaAs	Red	Red Diffused	645	10	20	60
AC-302UR2D60-150	AlGaInP	Red	Red Diffused	625	80	150	60
AC-302UA2D60-150	AlGaInP	Amber	Orange Diffused	605	80	150	60
AC-302UY2D60-150	AlGaInP	Yellow	Yellow Diffused	592	80	150	60
AC-302UG1D60-150	AlGaInP	Yellow Green	Green Diffused	572	80	150	60
AC-302PG24D60-1000	InGaN	Pure Green	Green Diffused	525	500	1000	60
AC-302BL1D60-150	InGaN	Blue	Blue Diffused	465	80	150	60
AC-302PW1M70-1000	InGaN	White	Milky	6000k	500	1000	70

### Notes:

1. All dimensions are in millimeters (inches).
2. Tolerance is  $\pm 0.25\text{mm}(0.01\text{'})$  unless otherwise noted.

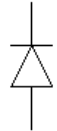
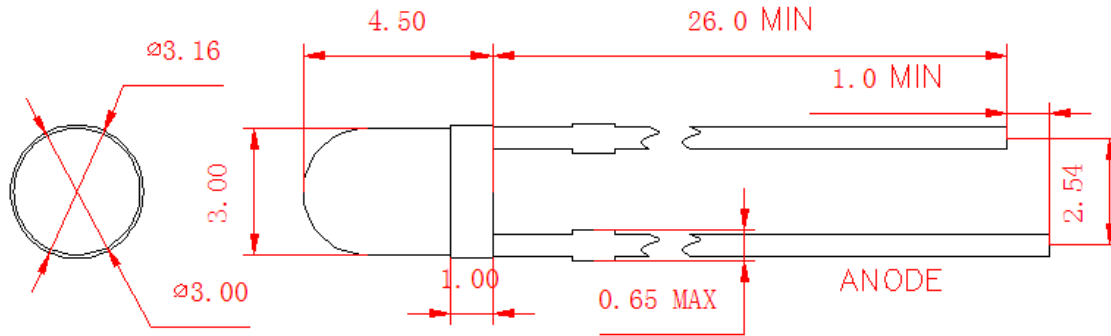


# ABC COIL ELECTRONIC LIMITED

<https://www.abccoil.com>

email: [sales@abccoil.com](mailto:sales@abccoil.com)

## THROUGH-HOLE LED



P/N	DICE MATERIALS	EMITTED COLOR	LENS COLOR	$\lambda$ D (nm)	Iv(mcd) @20mA		VIEW ANGLE
					MIN.	TYP.	
AC-30SSR1W30-100	AlGaAs	Red	Water Clear	645	50	100	30
AC-30SUR2W30-1500	AlGaN	Red	Water Clear	625	1000	1500	30
AC-30SUA2W30-1000	AlGaN	Amber	Water Clear	605	500	1000	30
AC-302UY2W30-1000	AlGaN	Yellow	Water Clear	592	500	1000	30
AC-30SUG1W30-1000	AlGaN	Yellow Green	Water Clear	572	500	1000	30
AC-30SPG24W30-3000	InGaN	Pure Green	Water Clear	525	1000	3000	30
AC-30SBL1W30-1000	InGaN	Blue	Water Clear	465	500	1000	30
AC-30SPW1W30-3000	InGaN	White	Water Clear	6000k	1000	3000	40
AC-30SSR1D50-30	AlGaAs	Red	Red Diffused	645	10	30	50
AC-30SUR2D50-300	AlGaN	Red	Red Diffused	625	100	300	50
AC-30SUA2D50-300	AlGaN	Amber	Orange Diffused	605	100	300	50
AC-30SUY2D50-300	AlGaN	Yellow	Yellow Diffused	592	100	300	50
AC-30SUG1D50-300	AlGaN	Yellow Green	Green Diffused	572	100	300	50
AC-30SPG24D50-1000	InGaN	Pure Green	Green Diffused	525	500	1000	50
AC-30SBL1D50-300	InGaN	Blue	Blue Diffused	465	100	300	50
AC-30SPW1M50-1000	InGaN	White	Milky	6000k	500	1000	60

### Notes:

1. All dimensions are in millimeters (inches).
2. Tolerance is  $\pm 0.25\text{mm}(0.01")$  unless otherwise noted.

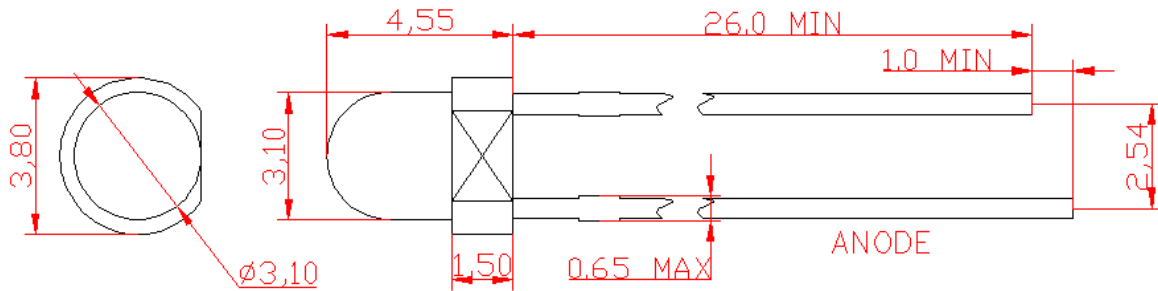


# ABC COIL ELECTRONIC LIMITED

<https://www.abccoil.com>

email: [sales@abccoil.com](mailto:sales@abccoil.com)

## THROUGH-HOLE LED



P/N	DICE MATERIALS	EMITTED COLOR	LENS COLOR	$\lambda$ D (nm)	Iv(mcd) @20mA		VIEW ANGLE
					MIN.	TYP.	
AC-303SR1W30-100	AlGaAs	Red	Water Clear	645	50	100	30
AC-303UR2W30-1500	AlGaInP	Red	Water Clear	625	1000	1500	30
AC-303UA2W30-1000	AlGaInP	Amber	Water Clear	605	500	1000	30
AC-303UY2W30-1000	AlGaInP	Yellow	Water Clear	592	500	1000	30
AC-303UG1W30-1000	AlGaInP	Yellow Green	Water Clear	572	500	1000	30
AC-303PG24W30-3000	InGaN	Pure Green	Water Clear	525	1000	3000	30
AC-303BL1W30-1000	InGaN	Blue	Water Clear	465	500	1000	30
AC-303PW1W30-3000	InGaN	White	Water Clear	6000k	1000	3000	40
AC-303SR1D50-30	AlGaAs	Red	Red Diffused	645	10	30	50
AC-303UR2D50-300	AlGaInP	Red	Red Diffused	625	100	300	50
AC-303UA2D50-300	AlGaInP	Amber	Orange Diffused	605	100	300	50
AC-303UY2D50-300	AlGaInP	Yellow	Yellow Diffused	592	100	300	50
AC-303UG1D50-300	AlGaInP	Yellow Green	Green Diffused	572	100	300	50
AC-303PG24D50-1000	InGaN	Pure Green	Green Diffused	525	500	1000	50
AC-303BL1D50-300	InGaN	Blue	Blue Diffused	465	100	300	50
AC-303PW1M50-1000	InGaN	White	Milky	6000k	500	1000	60

### Notes:

1. All dimensions are in millimeters (inches).
2. Tolerance is  $\pm 0.25\text{mm}(0.01\text{'})$  unless otherwise noted.



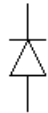
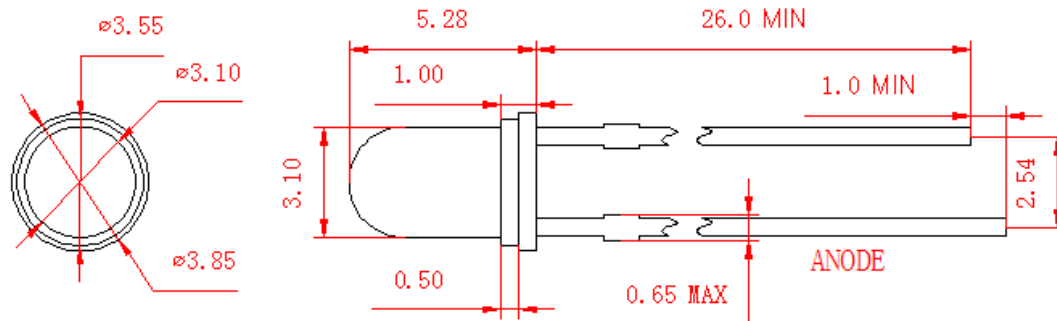


# ABC COIL ELECTRONIC LIMITED

<https://www.abccoil.com>

email: [sales@abccoil.com](mailto:sales@abccoil.com)

## THROUGH-HOLE LED



P/N	DICE MATERIALS	EMITTED COLOR	LENS COLOR	$\lambda$ D (nm)	Iv(mcd) @20mA		VIEW ANGLE
					MIN.	TYP.	
AC-306SR1W30-100	AlGaAs	Red	Water Clear	645	50	100	30
AC-306UR2W30-1000	AlGaInP	Red	Water Clear	625	500	1000	30
AC-306UA2W30-1000	AlGaInP	Amber	Water Clear	605	500	1000	30
AC-306UY2W30-1000	AlGaInP	Yellow	Water Clear	592	500	1000	30
AC-306UG1W30-1000	AlGaInP	Yellow Green	Water Clear	572	500	1000	30
AC-306PG24W30-3000	InGaN	Pure Green	Water Clear	525	1000	3000	30
AC-306BL1W30-1000	InGaN	Blue	Water Clear	465	500	1000	30
AC-306PW1W40-3000	InGaN	White	Water Clear	6000k	1000	3000	40
AC-306SR1D50-30	AlGaAs	Red	Red Diffused	645	10	30	50
AC-306UR2D50-300	AlGaInP	Red	Red Diffused	625	100	300	50
AC-306UA2D50-300	AlGaInP	Amber	Orange Diffused	605	100	300	50
AC-306UY2D50-300	AlGaInP	Yellow	Yellow Diffused	592	100	300	50
AC-306UG1D50-300	AlGaInP	Yellow Green	Green Diffused	572	100	300	50
AC-306PG24D50-1000	InGaN	Pure Green	Green Diffused	525	500	1000	50
AC-306BL1D50-300	InGaN	Blue	Blue Diffused	465	100	300	50
AC-306PW1M60-1000	InGaN	White	Milky	6000k	500	1000	60

### Notes:

1. All dimensions are in millimeters (inches).
2. Tolerance is  $\pm 0.25\text{mm}(0.01\text{'})$  unless otherwise noted.

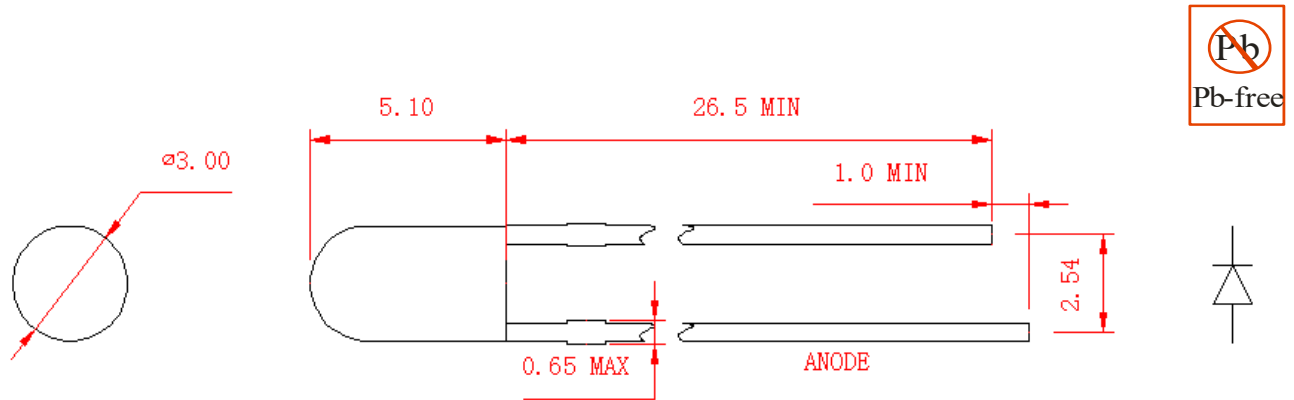


# ABC COIL ELECTRONIC LIMITED

<https://www.abccoil.com>

email: [sales@abccoil.com](mailto:sales@abccoil.com)

## THROUGH-HOLE LED



P/N	DICE MATERIALS	EMITTED COLOR	LENS COLOR	$\lambda$ D (nm)	Iv(mcd) @20mA		VIEW ANGLE
					MIN.	TYP.	
AC-31SR1W20-100	AlGaAs	Red	Water Clear	645	50	100	20
AC-31UR2W20-1000	AlGaInP	Red	Water Clear	625	500	1000	20
AC-31UA2W20-1000	AlGaInP	Amber	Water Clear	605	500	1000	20
AC-31UY2W20-0000	AlGaInP	Yellow	Water Clear	592	500	1000	20
AC-31UG1W20-1000	AlGaInP	Yellow Green	Water Clear	572	500	1000	20
AC-31PG24W20-3000	InGaN	Pure Green	Water Clear	525	1000	3000	20
AC-31BL1W20-1000	InGaN	Blue	Water Clear	465	500	1000	20
AC-31PW1W20-3000	InGaN	White	Water Clear	6000k	1000	3000	20
AC-31SR1D50-30	AlGaAs	Red	Red Diffused	645	10	30	50
AC-31UR2D50-300	AlGaInP	Red	Red Diffused	625	100	300	50
AC-31UA2D50-300	AlGaInP	Amber	Orange Diffused	605	100	300	50
AC-31UY2D50-300	AlGaInP	Yellow	Yellow Diffused	592	100	300	50
AC-31UG1D50-300	AlGaInP	Yellow Green	Green Diffused	572	100	300	50
AC-31PG24D50-1000	InGaN	Pure Green	Green Diffused	525	500	1000	50
AC-31BL1D50-300	InGaN	Blue	Blue Diffused	465	100	300	50
AC-31PW1M60-1000	InGaN	White	Milky	6000k	500	1000	60

### Notes:

1. All dimensions are in millimeters (inches).
2. Tolerance is  $\pm 0.25\text{mm}(0.01")$  unless otherwise noted.