

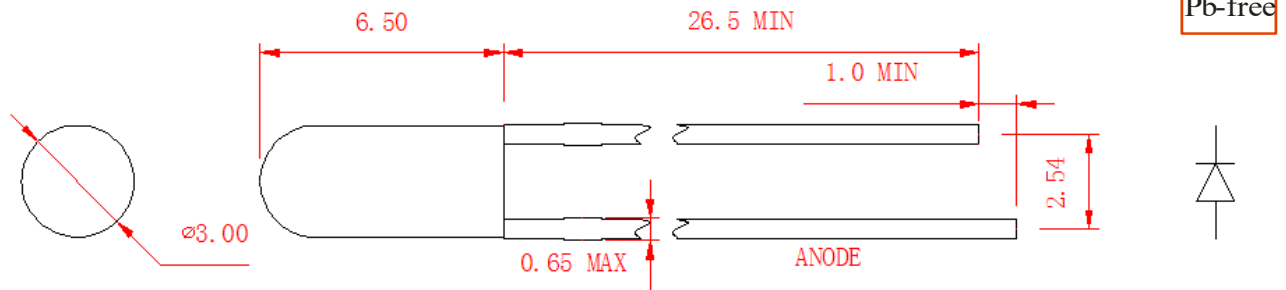


ABC COIL ELECTRONIC LIMITED

<https://www.abccoil.com>

email: sales@abccoil.com

THROUGH-HOLE LED



| P/N | DICE MATERIALS | EMITTED COLOR | LENS COLOR | λ D (nm) | Iv(mcd) @20mA | | VIEW ANGLE |
|--------------------|----------------|---------------|-----------------|------------------|---------------|------|------------|
| | | | | | MIN. | TYP. | |
| AC-311SR1W20-100 | AlGaAs | Red | Water Clear | 645 | 50 | 100 | 20 |
| AC-311UR2W20-1000 | AlGaInP | Red | Water Clear | 625 | 500 | 1000 | 20 |
| AC-311UA2W20-1000 | AlGaInP | Amber | Water Clear | 605 | 500 | 1000 | 20 |
| AC-311UY2W20-0000 | AlGaInP | Yellow | Water Clear | 592 | 500 | 1000 | 20 |
| AC-311UG1W20-1000 | AlGaInP | Yellow Green | Water Clear | 572 | 500 | 1000 | 20 |
| AC-311PG24W20-3000 | InGaN | Pure Green | Water Clear | 525 | 1000 | 3000 | 20 |
| AC-311BL1W20-1000 | InGaN | Blue | Water Clear | 465 | 500 | 1000 | 20 |
| AC-311PW1W20-3000 | InGaN | White | Water Clear | 6000k | 1000 | 3000 | 20 |
| AC-311SR1D50-30 | AlGaAs | Red | Red Diffused | 645 | 10 | 30 | 50 |
| AC-311UR2D50-300 | AlGaInP | Red | Red Diffused | 625 | 100 | 300 | 50 |
| AC-311UA2D50-300 | AlGaInP | Amber | Orange Diffused | 605 | 100 | 300 | 50 |
| AC-311UY2D50-300 | AlGaInP | Yellow | Yellow Diffused | 592 | 100 | 300 | 50 |
| AC-311UG1D50-300 | AlGaInP | Yellow Green | Green Diffused | 572 | 100 | 300 | 50 |
| AC-311PG24D50-1000 | InGaN | Pure Green | Green Diffused | 525 | 500 | 1000 | 50 |
| AC-311BL1D50-300 | InGaN | Blue | Blue Diffused | 465 | 100 | 300 | 50 |
| AC-311PW1M60-1000 | InGaN | White | Milky | 6000k | 500 | 1000 | 60 |

Notes:

1. All dimensions are in millimeters (inches).
2. Tolerance is $\pm 0.25\text{mm}(0.01\text{'})$ unless otherwise noted.

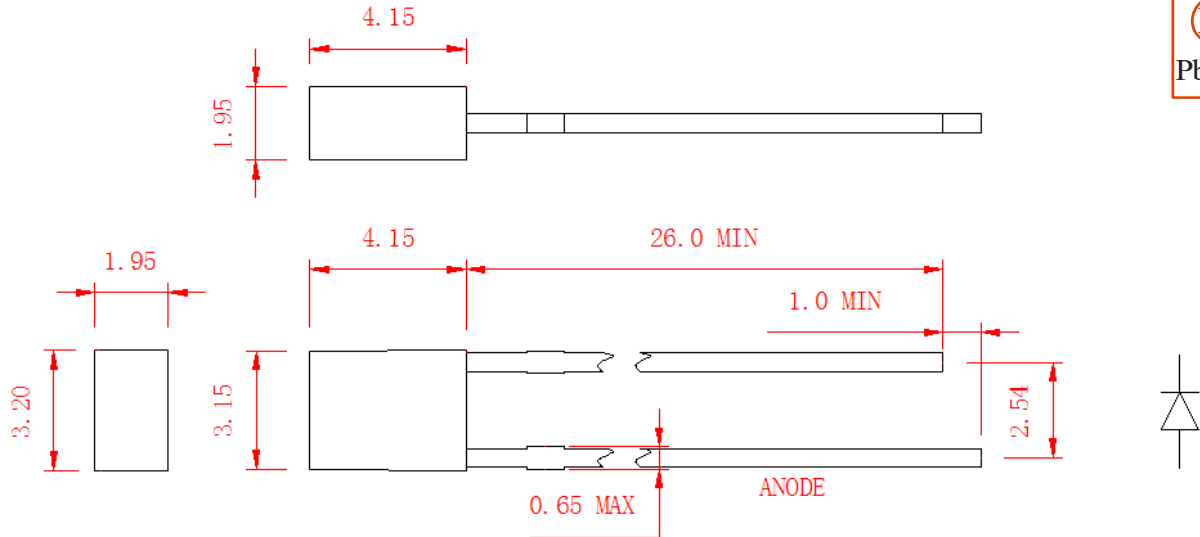


ABC COIL ELECTRONIC LIMITED

<https://www.abccoil.com>

email: sales@abccoil.com

THROUGH-HOLE LED



| P/N | DICE MATERIALS | EMITTED COLOR | LENS COLOR | λ D (nm) | Iv(mcd) @20mA | | VIEW ANGLE |
|--------------------|----------------|---------------|-----------------|------------------|---------------|------|------------|
| | | | | | MIN. | TYP. | |
| AC-321SR1W100-20 | AlGaAs | Red | Water Clear | 645 | 10 | 20 | 100 |
| AC-321UR2W100-60 | AlGaInP | Red | Water Clear | 625 | 30 | 60 | 100 |
| AC-321UA2W100-60 | AlGaInP | Amber | Water Clear | 605 | 30 | 60 | 100 |
| AC-321UY2W100-60 | AlGaInP | Yellow | Water Clear | 592 | 30 | 60 | 100 |
| AC-321UG1W100-60 | AlGaInP | Yellow Green | Water Clear | 572 | 30 | 60 | 100 |
| AC-321PG24W100-200 | InGaN | Pure Green | Water Clear | 525 | 100 | 200 | 100 |
| AC-321BL1W100-60 | InGaN | Blue | Water Clear | 465 | 30 | 60 | 100 |
| AC-321PW1W100-200 | InGaN | White | Water Clear | 6000k | 100 | 200 | 100 |
| AC-321SR1D180-10 | AlGaAs | Red | Red Diffused | 645 | 5 | 10 | 180 |
| AC-321UR2D180-30 | AlGaInP | Red | Red Diffused | 625 | 10 | 30 | 180 |
| AC-321UA2D180-30 | AlGaInP | Amber | Orange Diffused | 605 | 10 | 30 | 180 |
| AC-321UY2D180-30 | AlGaInP | Yellow | Yellow Diffused | 592 | 10 | 30 | 180 |
| AC-321UG1D180-30 | AlGaInP | Yellow Green | Green Diffused | 572 | 10 | 30 | 180 |
| AC-321PG24D180-50 | InGaN | Pure Green | Green Diffused | 525 | 20 | 50 | 180 |
| AC-321BL1D180-30 | InGaN | Blue | Blue Diffused | 465 | 10 | 30 | 180 |
| AC-321PW1M180-50 | InGaN | White | Milky | 6000k | 20 | 50 | 180 |

Notes:

1. All dimensions are in millimeters (inches).
2. Tolerance is $\pm 0.25\text{mm}(0.01")$ unless otherwise noted.

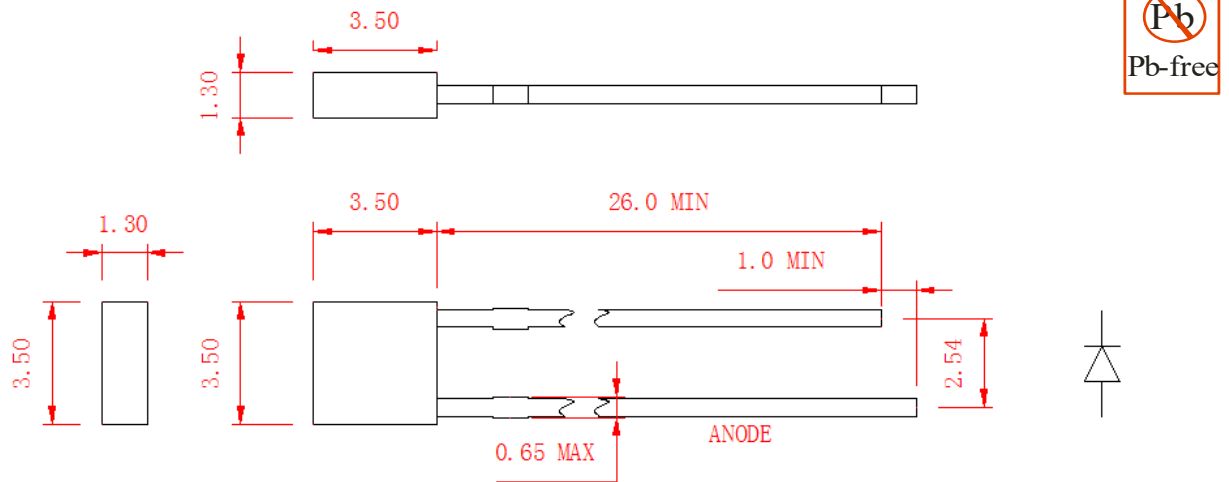


ABC COIL ELECTRONIC LIMITED

<https://www.abccoil.com>

email: sales@abccoil.com

THROUGH-HOLE LED



| P/N | DICE MATERIALS | EMITTED COLOR | LENS COLOR | λ D (nm) | Iv(mcd) @20mA | | VIEW ANGLE |
|--------------------|----------------|---------------|-----------------|------------------|---------------|------|------------|
| | | | | | MIN. | TYP. | |
| AC-322SR1W100-20 | AlGaAs | Red | Water Clear | 645 | 10 | 20 | 100 |
| AC-322UR2W100-60 | AlGaInP | Red | Water Clear | 625 | 30 | 60 | 100 |
| AC-322UA2W100-60 | AlGaInP | Amber | Water Clear | 605 | 30 | 60 | 100 |
| AC-322UY2W100-60 | AlGaInP | Yellow | Water Clear | 592 | 30 | 60 | 100 |
| AC-322UG1W100-60 | AlGaInP | Yellow Green | Water Clear | 572 | 30 | 60 | 100 |
| AC-322PG24W100-200 | InGaN | Pure Green | Water Clear | 525 | 100 | 200 | 100 |
| AC-322BL1W100-60 | InGaN | Blue | Water Clear | 465 | 30 | 60 | 100 |
| AC-322PW1W100-200 | InGaN | White | Water Clear | 6000k | 100 | 200 | 100 |
| AC-322SR1D180-10 | AlGaAs | Red | Red Diffused | 645 | 5 | 10 | 180 |
| AC-322UR2D180-30 | AlGaInP | Red | Red Diffused | 625 | 10 | 30 | 180 |
| AC-322UA2D180-30 | AlGaInP | Amber | Orange Diffused | 605 | 10 | 30 | 180 |
| AC-322UY2D180-30 | AlGaInP | Yellow | Yellow Diffused | 592 | 10 | 30 | 180 |
| AC-322UG1D180-30 | AlGaInP | Yellow Green | Green Diffused | 572 | 10 | 30 | 180 |
| AC-322PG24D180-50 | InGaN | Pure Green | Green Diffused | 525 | 20 | 50 | 180 |
| AC-322BL1D180-30 | InGaN | Blue | Blue Diffused | 465 | 10 | 30 | 180 |
| AC-322PW1M180-50 | InGaN | White | Milky | 6000k | 20 | 50 | 180 |

Notes:

1. All dimensions are in millimeters (inches).
2. Tolerance is $\pm 0.25\text{mm}(0.01\text{'})$ unless otherwise noted.

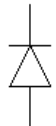
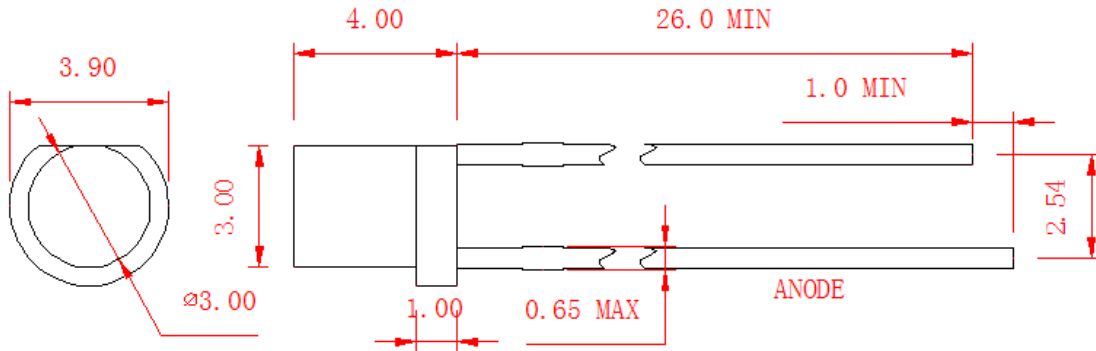


ABC COIL ELECTRONIC LIMITED

<https://www.abccoil.com>

email: sales@abccoil.com

THROUGH-HOLE LED



| P/N | DICE MATERIALS | EMITTED COLOR | LENS COLOR | λ D (nm) | Iv(mcd) @20mA | | VIEW ANGLE |
|-------------------|----------------|---------------|-----------------|------------------|---------------|------|------------|
| | | | | | MIN. | TYP. | |
| AC-33SR1W100-50 | AlGaAs | Red | Water Clear | 645 | 20 | 50 | 100 |
| AC-33UR2W100-80 | AlGaInP | Red | Water Clear | 625 | 40 | 80 | 100 |
| AC-33UA2W100-80 | AlGaInP | Amber | Water Clear | 605 | 40 | 80 | 100 |
| AC-33UY2W100-80 | AlGaInP | Yellow | Water Clear | 592 | 40 | 80 | 100 |
| AC-33UG1W100-80 | AlGaInP | Yellow Green | Water Clear | 572 | 40 | 80 | 100 |
| AC-33PG24W100-150 | InGaN | Pure Green | Water Clear | 525 | 70 | 150 | 100 |
| AC-33BL1W100-80 | InGaN | Blue | Water Clear | 465 | 40 | 80 | 100 |
| AC-33PW1W100-150 | InGaN | White | Water Clear | 6000k | 70 | 150 | 100 |
| AC-33SR1D120-10 | AlGaAs | Red | Red Diffused | 645 | 5 | 10 | 120 |
| AC-33UR2D120-30 | AlGaInP | Red | Red Diffused | 625 | 10 | 30 | 120 |
| AC-33UA2D120-30 | AlGaInP | Amber | Orange Diffused | 605 | 10 | 30 | 120 |
| AC-33UY2D120-30 | AlGaInP | Yellow | Yellow Diffused | 592 | 10 | 30 | 120 |
| AC-33UG1D120-30 | AlGaInP | Yellow Green | Green Diffused | 572 | 10 | 30 | 120 |
| AC-33PG24D120-100 | InGaN | Pure Green | Green Diffused | 525 | 50 | 100 | 120 |
| AC-33BL1D120-30 | InGaN | Blue | Blue Diffused | 465 | 10 | 30 | 120 |
| AC-33PW1M120-100 | InGaN | White | Milky | 6000k | 50 | 100 | 120 |

Notes:

1. All dimensions are in millimeters (inches).
2. Tolerance is $\pm 0.25\text{mm}(0.01\text{'})$ unless otherwise noted.

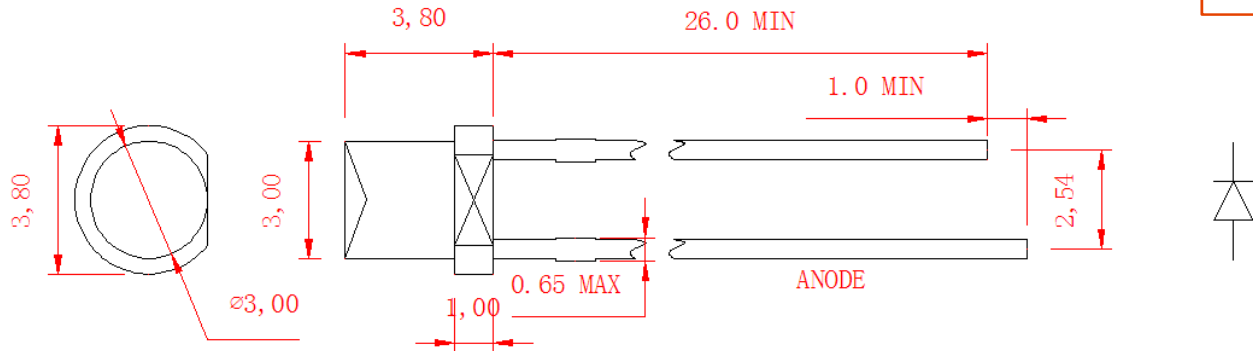


ABC COIL ELECTRONIC LIMITED

<https://www.abccoil.com>

email: sales@abccoil.com

THROUGH-HOLE LED



| P/N | DICE MATERIALS | EMITTED COLOR | LENS COLOR | λ D (nm) | Iv(mcd) @20mA | | VIEW ANGLE |
|-------------------|----------------|---------------|-----------------|------------------|---------------|------|------------|
| | | | | | MIN. | TYP. | |
| AC-34SR1W100-20 | AlGaAs | Red | Water Clear | 645 | 10 | 20 | 100 |
| AC-34UR2W100-100 | AlGaInP | Red | Water Clear | 625 | 50 | 100 | 100 |
| AC-34UA2W100-100 | AlGaInP | Amber | Water Clear | 605 | 50 | 100 | 100 |
| AC-34UY2W100-100 | AlGaInP | Yellow | Water Clear | 592 | 50 | 100 | 100 |
| AC-34UG1W100-100 | AlGaInP | Yellow Green | Water Clear | 572 | 50 | 100 | 100 |
| AC-34PG24W100-300 | InGaN | Pure Green | Water Clear | 525 | 100 | 300 | 100 |
| AC-34BL1W100-100 | InGaN | Blue | Water Clear | 465 | 50 | 100 | 100 |
| AC-34PW1W100-300 | InGaN | White | Water Clear | 6000k | 100 | 300 | 100 |
| AC-34SR1D150-10 | AlGaAs | Red | Red Diffused | 645 | 5 | 10 | 150 |
| AC-34UR2D150-40 | AlGaInP | Red | Red Diffused | 625 | 20 | 40 | 150 |
| AC-34UA2D150-40 | AlGaInP | Amber | Orange Diffused | 605 | 20 | 40 | 150 |
| AC-34UY2D150-40 | AlGaInP | Yellow | Yellow Diffused | 592 | 20 | 40 | 150 |
| AC-34UG1D150-40 | AlGaInP | Yellow Green | Green Diffused | 572 | 20 | 40 | 150 |
| AC-34PG24D150-100 | InGaN | Pure Green | Green Diffused | 525 | 50 | 100 | 150 |
| AC-34BL1D150-40 | InGaN | Blue | Blue Diffused | 465 | 20 | 40 | 150 |
| AC-34PW1M150-100 | InGaN | White | Milky | 6000k | 50 | 100 | 150 |

Notes:

1. All dimensions are in millimeters (inches).
2. Tolerance is $\pm 0.25\text{mm}$ (0.01") unless otherwise noted.

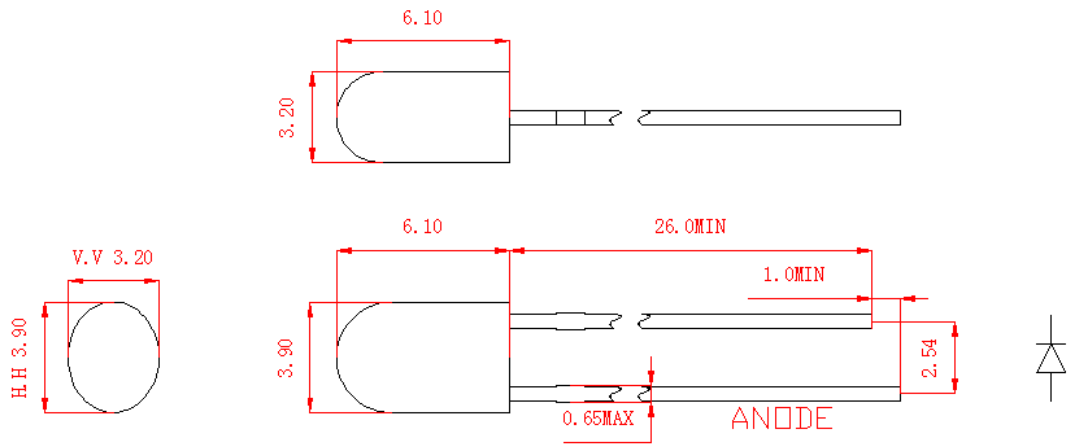


ABC COIL ELECTRONIC LIMITED

<https://www.abccoil.com>

email: sales@abccoil.com

THROUGH-HOLE LED



| P/N | DICE MATERIALS | EMITTED COLOR | LENS COLOR | λ D (nm) | Iv(mcd) @20mA | | VIEW ANGLE |
|----------------------|----------------|---------------|-----------------|------------------|---------------|------|------------|
| | | | | | MIN. | TYP. | |
| AC-372SR1W80-60 | AlGaAs | Red | Water Clear | 645 | 30 | 60 | 80 |
| AC-372UR2W80-1500 | AlGaInP | Red | Water Clear | 625 | 800 | 1500 | 80 |
| AC-372UA2W80-1000 | AlGaInP | Amber | Water Clear | 605 | 500 | 1000 | 80 |
| AC-372UY2W80-1000 | AlGaInP | Yellow | Water Clear | 592 | 500 | 1000 | 80 |
| AC-372UG1W80-1000 | AlGaInP | Yellow Green | Water Clear | 572 | 500 | 1000 | 80 |
| AC-372PG24W80-3000 | InGaN | Pure Green | Water Clear | 525 | 1000 | 3000 | 80 |
| AC-372BL1W80-1000 | InGaN | Blue | Water Clear | 465 | 500 | 1000 | 80 |
| AC-372PW1W80-3000 | InGaN | White | Water Clear | 6000k | 1000 | 3000 | 80 |
| AC-372SR1TD100-20 | AlGaAs | Red | Red Diffused | 645 | 10 | 20 | 100 |
| AC-372UR2TD100-1000 | AlGaInP | Red | Red Diffused | 625 | 500 | 1000 | 100 |
| AC-372UA2TD100-500 | AlGaInP | Amber | Orange Diffused | 605 | 200 | 500 | 100 |
| AC-372UY2TD100-500 | AlGaInP | Yellow | Yellow Diffused | 592 | 200 | 500 | 100 |
| AC-372UG1TD100-500 | AlGaInP | Yellow Green | Green Diffused | 572 | 200 | 500 | 100 |
| AC-372PG24TD100-1500 | InGaN | Pure Green | Green Diffused | 525 | 800 | 1500 | 100 |
| AC-372BL1TD100-500 | InGaN | Blue | Blue Diffused | 465 | 200 | 500 | 100 |
| AC-372PW1TM100-1500 | InGaN | White | Milky | 6000k | 800 | 1500 | 100 |

Notes:

1. All dimensions are in millimeters (inches).
2. Tolerance is $\pm 0.25\text{mm}(0.01\text{'})$ unless otherwise noted.

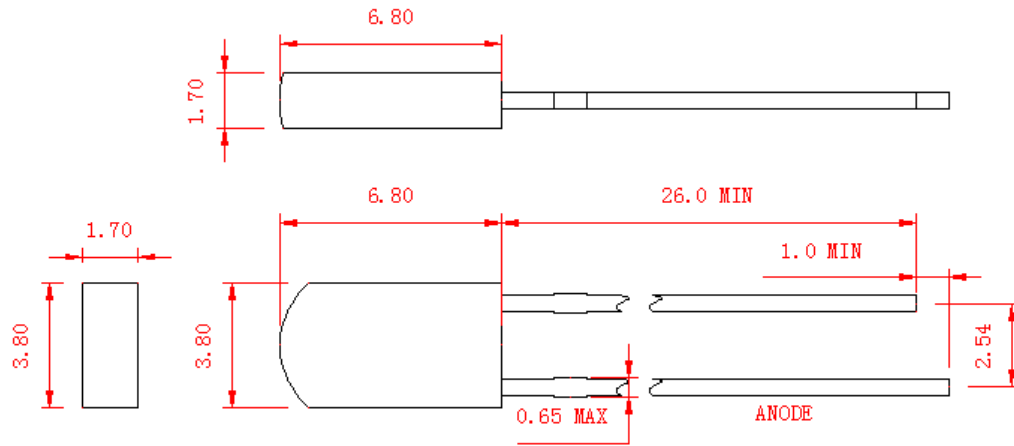


ABC COIL ELECTRONIC LIMITED

<https://www.abccoil.com>

email: sales@abccoil.com

THROUGH-HOLE LED



| P/N | DICE MATERIALS | EMITTED COLOR | LENS COLOR | λ D (nm) | Iv(mcd) @20mA | | VIEW ANGLE |
|-------------------|----------------|---------------|-----------------|------------------|---------------|------|------------|
| | | | | | MIN. | TYP. | |
| AC-38SR1W50-60 | AlGaAs | Red | Water Clear | 645 | 30 | 60 | 50 |
| AC-38UR2W50-500 | AlGaInP | Red | Water Clear | 625 | 200 | 500 | 50 |
| AC-38UA2W50-150 | AlGaInP | Amber | Water Clear | 605 | 70 | 150 | 50 |
| AC-38UY2W50-150 | AlGaInP | Yellow | Water Clear | 592 | 70 | 150 | 50 |
| AC-38UG1W50-150 | AlGaInP | Yellow Green | Water Clear | 572 | 70 | 150 | 50 |
| AC-38PG24W50-1000 | InGaN | Pure Green | Water Clear | 525 | 500 | 1000 | 50 |
| AC-38BL1W50-200 | InGaN | Blue | Water Clear | 465 | 70 | 150 | 50 |
| AC-38PW1W50-1000 | InGaN | White | Water Clear | 6000k | 500 | 1000 | 50 |
| AC-38SR1D80-15 | AlGaAs | Red | Red Diffused | 645 | 5 | 15 | 80 |
| AC-38UR2D80-100 | AlGaInP | Red | Red Diffused | 625 | 50 | 100 | 80 |
| AC-38UA2D80-50 | AlGaInP | Amber | Orange Diffused | 605 | 20 | 50 | 80 |
| AC-38UY2D80-50 | AlGaInP | Yellow | Yellow Diffused | 592 | 20 | 50 | 80 |
| AC-38UG1D80-50 | AlGaInP | Yellow Green | Green Diffused | 572 | 20 | 50 | 80 |
| AC-38PG24D80-300 | InGaN | Pure Green | Green Diffused | 525 | 100 | 300 | 80 |
| AC-38BL1D80-50 | InGaN | Blue | Blue Diffused | 465 | 20 | 50 | 80 |
| AC-38PW1M80-300 | InGaN | White | Milky | 6000k | 100 | 300 | 80 |

Notes:

1. All dimensions are in millimeters (inches).
2. Tolerance is $\pm 0.25\text{mm}(0.01\text{'})$ unless otherwise noted.

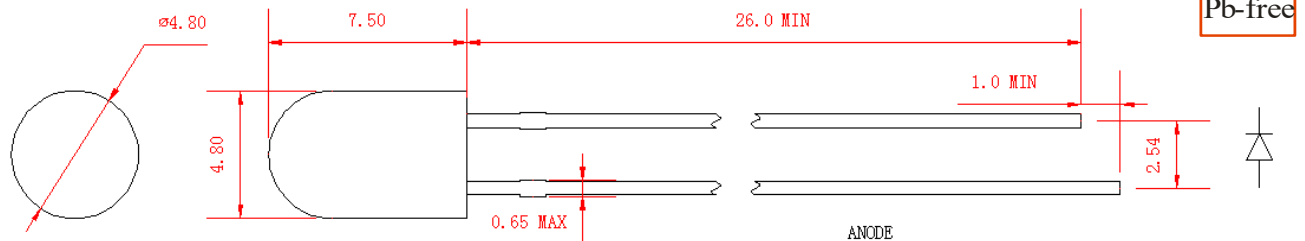


ABC COIL ELECTRONIC LIMITED

<https://www.abccoil.com>

email: sales@abccoil.com

THROUGH-HOLE LED



| P/N | DICE MATERIALS | EMITTED COLOR | LENS COLOR | λ D (nm) | Iv(mcd) @20mA | | VIEW ANGLE |
|-------------------|----------------|---------------|-----------------|------------------|---------------|------|------------|
| | | | | | MIN. | TYP. | |
| AC-41SR1W15-150 | AlGaAs | Red | Water Clear | 645 | 70 | 150 | 15 |
| AC-41UR2W15-1000 | AlGaInP | Red | Water Clear | 625 | 500 | 1000 | 15 |
| AC-41UA2W15-1000 | AlGaInP | Amber | Water Clear | 605 | 500 | 1000 | 15 |
| AC-41UY2W15-1000 | AlGaInP | Yellow | Water Clear | 592 | 500 | 1000 | 15 |
| AC-41UG1W15-1000 | AlGaInP | Yellow Green | Water Clear | 572 | 500 | 1000 | 15 |
| AC-41PG24W15-3000 | InGaN | Pure Green | Water Clear | 525 | 1000 | 3000 | 15 |
| AC-41BL1W15-1000 | InGaN | Blue | Water Clear | 465 | 500 | 1000 | 15 |
| AC-41PW1W15-3000 | InGaN | White | Water Clear | 6000k | 1000 | 3000 | 15 |
| AC-41SR1D60-15 | AlGaAs | Red | Red Diffused | 645 | 5 | 15 | 60 |
| AC-41UR2D60-60 | AlGaInP | Red | Red Diffused | 625 | 30 | 60 | 60 |
| AC-41UA2D60-60 | AlGaInP | Amber | Orange Diffused | 605 | 30 | 60 | 60 |
| AC-41UY2D60-60 | AlGaInP | Yellow | Yellow Diffused | 592 | 30 | 60 | 60 |
| AC-41UG1D60-60 | AlGaInP | Yellow Green | Green Diffused | 572 | 30 | 60 | 60 |
| AC-41PG24D60-200 | InGaN | Pure Green | Green Diffused | 525 | 100 | 200 | 60 |
| AC-41BL1D60-80 | InGaN | Blue | Blue Diffused | 465 | 30 | 60 | 60 |
| AC-41PW1M60-200 | InGaN | White | Milky | 6000k | 100 | 200 | 60 |

Notes:

1. All dimensions are in millimeters (inches).
2. Tolerance is $\pm 0.25\text{mm}(0.01")$ unless otherwise noted.

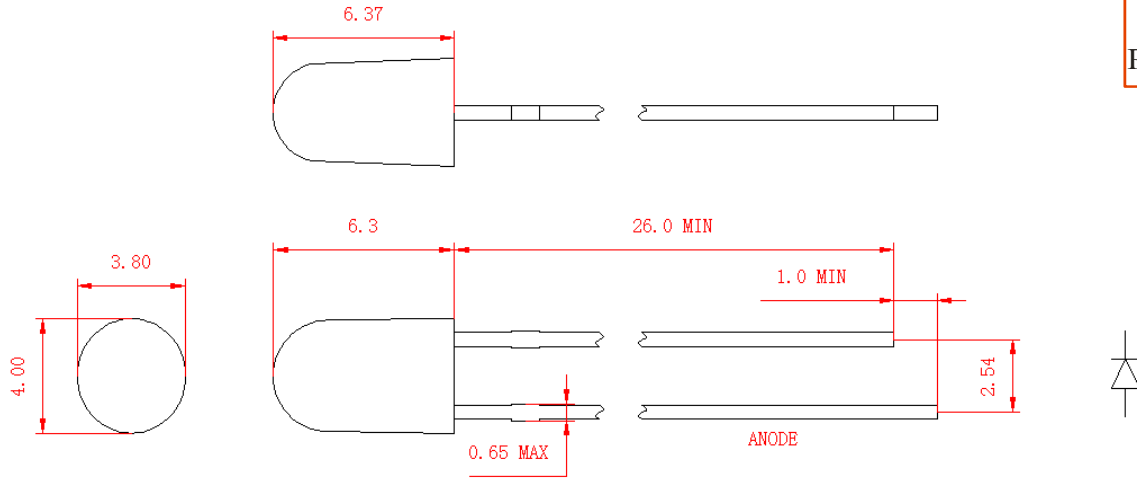


ABC COIL ELECTRONIC LIMITED

<https://www.abccoil.com>

email: sales@abccoil.com

THROUGH-HOLE LED



| P/N | DICE MATERIALS | EMITTED COLOR | LENS COLOR | λ D (nm) | Iv(mcd) @20mA | | VIEW ANGLE |
|--------------------|----------------|---------------|-----------------|------------------|---------------|------|------------|
| | | | | | MIN. | TYP. | |
| AC-471SR1W20-150 | AlGaAs | Red | Water Clear | 645 | 70 | 150 | 20 |
| AC-471UR2W20-1500 | AlGaInP | Red | Water Clear | 625 | 700 | 1500 | 20 |
| AC-471UA2W20-1000 | AlGaInP | Amber | Water Clear | 605 | 500 | 1000 | 20 |
| AC-471UY2W20-1000 | AlGaInP | Yellow | Water Clear | 592 | 500 | 1000 | 20 |
| AC-471UG1W20-1000 | AlGaInP | Yellow Green | Water Clear | 572 | 500 | 1000 | 20 |
| AC-471PG24W20-3000 | InGaN | Pure Green | Water Clear | 525 | 1000 | 3000 | 20 |
| AC-471BL1W20-1000 | InGaN | Blue | Water Clear | 465 | 500 | 1000 | 20 |
| AC-471PW1W20-3000 | InGaN | White | Water Clear | 6000k | 1000 | 3000 | 20 |
| AC-471SR1D50-20 | AlGaAs | Red | Red Diffused | 645 | 10 | 20 | 50 |
| AC-471UR2D50-500 | AlGaInP | Red | Red Diffused | 625 | 200 | 500 | 50 |
| AC-471UA2D50-500 | AlGaInP | Amber | Orange Diffused | 605 | 200 | 500 | 50 |
| AC-471UY2D50-500 | AlGaInP | Yellow | Yellow Diffused | 592 | 200 | 500 | 50 |
| AC-471UG1D50-500 | AlGaInP | Yellow Green | Green Diffused | 572 | 200 | 500 | 50 |
| AC-471PG24D50-1000 | InGaN | Pure Green | Green Diffused | 525 | 500 | 1000 | 50 |
| AC-471BL1D50-500 | InGaN | Blue | Blue Diffused | 465 | 200 | 500 | 50 |
| AC-471PW1M50-1000 | InGaN | White | Milky | 6000k | 500 | 1000 | 50 |

Notes:

1. All dimensions are in millimeters (inches).
2. Tolerance is $\pm 0.25\text{mm}(0.01\text{'})$ unless otherwise noted.

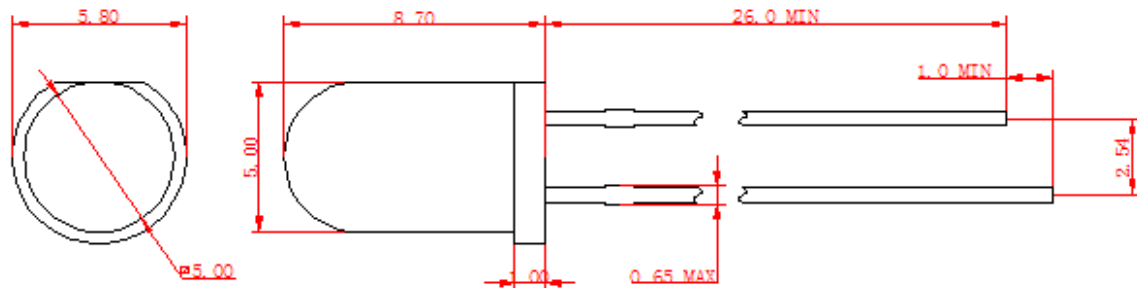


ABC COIL ELECTRONIC LIMITED

<https://www.abccoil.com>

email: sales@abccoil.com

THROUGH-HOLE LED



| P/N | DICE MATERIALS | EMITTED COLOR | LENS COLOR | λ D (nm) | Iv(mcd) @20mA | | VIEW ANGLE |
|--------------------|----------------|---------------|-----------------|----------|---------------|-------|------------|
| | | | | | MIN. | TYP. | |
| AC-50SR1W15-150 | AlGaAs | Red | Water Clear | 645 | 70 | 150 | 15 |
| AC-50UR2W15-5000 | AlGaInP | Red | Water Clear | 625 | 2000 | 5000 | 15 |
| AC-50UA2W15-2000 | AlGaInP | Amber | Water Clear | 605 | 1000 | 2000 | 15 |
| AC-50UY2W15-2000 | AlGaInP | Yellow | Water Clear | 592 | 1000 | 2000 | 15 |
| AC-50UG1W15-2000 | AlGaInP | Yellow Green | Water Clear | 572 | 1000 | 2000 | 15 |
| AC-50PG24W15-15000 | InGaN | Pure Green | Water Clear | 525 | 8000 | 15000 | 15 |
| AC-50BL1W15-3000 | InGaN | Blue | Water Clear | 465 | 1000 | 3000 | 15 |
| AC-50PW1W15-12000 | InGaN | White | Water Clear | 6000k | 7000 | 12000 | 15 |
| AC-50SR1D30-50 | AlGaAs | Red | Red Diffused | 645 | 20 | 50 | 30 |
| AC-50UR2D30-500 | AlGaInP | Red | Red Diffused | 625 | 200 | 500 | 30 |
| AC-50UA2D30-500 | AlGaInP | Amber | Orange Diffused | 605 | 200 | 500 | 30 |
| AC-50UY2D30-500 | AlGaInP | Yellow | Yellow Diffused | 592 | 200 | 500 | 30 |
| AC-50UG1D30-500 | AlGaInP | Yellow Green | Green Diffused | 572 | 200 | 500 | 30 |
| AC-50PG24D30-1000 | InGaN | Pure Green | Green Diffused | 525 | 500 | 1000 | 30 |
| AC-50BL1D30-500 | InGaN | Blue | Blue Diffused | 465 | 200 | 500 | 30 |
| AC-50PW1M30-1000 | InGaN | White | Milky | 6000k | 500 | 1000 | 30 |

Notes:

1. All dimensions are in millimeters (inches).
2. Tolerance is $\pm 0.25\text{mm}(0.01\text{'})$ unless otherwise noted.