

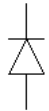
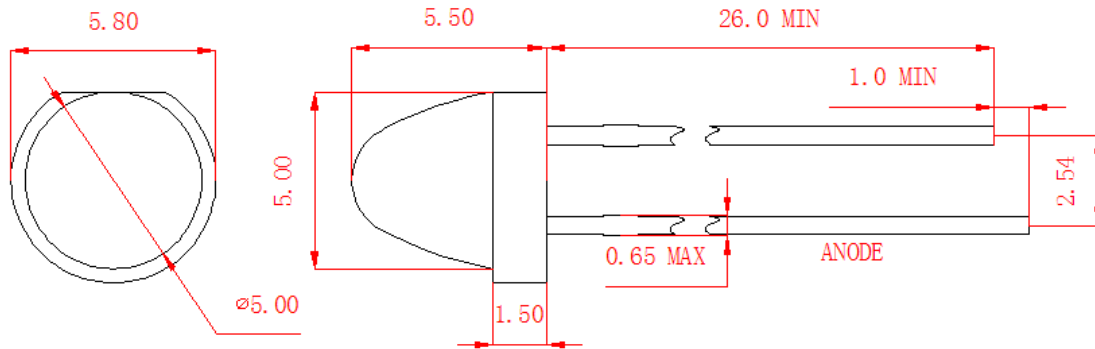


ABC COIL ELECTRONIC LIMITED

<https://www.abccoil.com>

email: sales@abccoil.com

THROUGH-HOLE LED



| P/N | DICE MATERIALS | EMITTED COLOR | LENS COLOR | λ D (nm) | Iv(mcd) @20mA | | VIEW ANGLE |
|--------------------|----------------|---------------|-----------------|------------------|---------------|------|------------|
| | | | | | MIN. | TYP. | |
| AC-501SR1W15-100 | AlGaAs | Red | Water Clear | 645 | 50 | 100 | 15 |
| AC-501UR2W15-1500 | AlGaInP | Red | Water Clear | 625 | 800 | 1500 | 15 |
| AC-501UA2W15-1500 | AlGaInP | Amber | Water Clear | 605 | 800 | 1500 | 15 |
| AC-501UY2W15-1500 | AlGaInP | Yellow | Water Clear | 592 | 800 | 1500 | 15 |
| AC-501UG1W15-1500 | AlGaInP | Yellow Green | Water Clear | 572 | 800 | 1500 | 15 |
| AC-501PG24W15-3000 | InGaN | Pure Green | Water Clear | 525 | 1000 | 3000 | 150 |
| AC-501BL1W15-1500 | InGaN | Blue | Water Clear | 465 | 800 | 1500 | 15 |
| AC-501PW1W15-3000 | InGaN | White | Water Clear | 6000k | 1000 | 3000 | 150 |
| AC-501SR1D45-20 | AlGaAs | Red | Red Diffused | 645 | 10 | 20 | 45 |
| AC-501UR2D45-100 | AlGaInP | Red | Red Diffused | 625 | 50 | 100 | 45 |
| AC-501UA2D45-100 | AlGaInP | Amber | Orange Diffused | 605 | 50 | 100 | 45 |
| AC-501UY2D45-100 | AlGaInP | Yellow | Yellow Diffused | 592 | 50 | 100 | 45 |
| AC-501UG1D45-100 | AlGaInP | Yellow Green | Green Diffused | 572 | 50 | 100 | 45 |
| AC-501PG24D45-300 | InGaN | Pure Green | Green Diffused | 525 | 100 | 300 | 45 |
| AC-501BL1D45-100 | InGaN | Blue | Blue Diffused | 465 | 50 | 100 | 45 |
| AC-501PW1M45-300 | InGaN | White | Milky | 6000k | 100 | 300 | 45 |

Notes:

1. All dimensions are in millimeters (inches).
2. Tolerance is $\pm 0.25\text{mm}(0.01\text{'})$ unless otherwise noted.

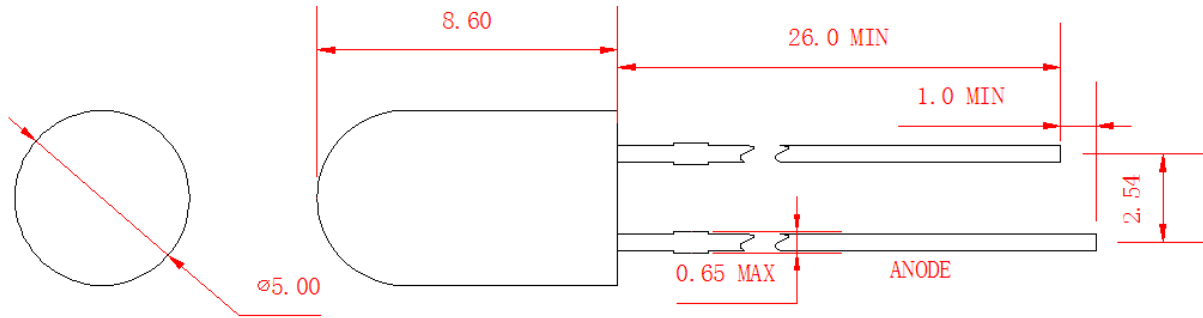


ABC COIL ELECTRONIC LIMITED

<https://www.abccoil.com>

email: sales@abccoil.com

THROUGH-HOLE LED



| P/N | DICE MATERIALS | EMITTED COLOR | LENS COLOR | λ D (nm) | Iv(mcd) @20mA | | VIEW ANGLE |
|--------------------|----------------|---------------|-----------------|------------------|---------------|-------|------------|
| | | | | | MIN. | TYP. | |
| AC-51SR1W15-150 | AlGaAs | Red | Water Clear | 645 | 70 | 150 | 15 |
| AC-51UR2W15-5000 | AlGaInP | Red | Water Clear | 625 | 2000 | 5000 | 15 |
| AC-51UA2W15-2000 | AlGaInP | Amber | Water Clear | 605 | 1000 | 2000 | 15 |
| AC-51UY2W15-2000 | AlGaInP | Yellow | Water Clear | 592 | 1000 | 2000 | 15 |
| AC-51UG1W15-2000 | AlGaInP | Yellow Green | Water Clear | 572 | 1000 | 2000 | 15 |
| AC-51PG24W15-15000 | InGaN | Pure Green | Water Clear | 525 | 8000 | 15000 | 15 |
| AC-51BL1W15-3000 | InGaN | Blue | Water Clear | 465 | 1000 | 3000 | 15 |
| AC-51PW1W15-12000 | InGaN | White | Water Clear | 6000k | 7000 | 12000 | 15 |
| AC-51SR1D30-50 | AlGaAs | Red | Red Diffused | 645 | 20 | 50 | 30 |
| AC-51UR2D30-500 | AlGaInP | Red | Red Diffused | 625 | 200 | 500 | 30 |
| AC-51UA2D30-500 | AlGaInP | Amber | Orange Diffused | 605 | 200 | 500 | 30 |
| AC-51UY2D30-500 | AlGaInP | Yellow | Yellow Diffused | 592 | 200 | 500 | 30 |
| AC-51UG1D30-500 | AlGaInP | Yellow Green | Green Diffused | 572 | 200 | 500 | 30 |
| AC-51PG24D30-1000 | InGaN | Pure Green | Green Diffused | 525 | 500 | 1000 | 30 |
| AC-51BL1D30-500 | InGaN | Blue | Blue Diffused | 465 | 200 | 500 | 30 |
| AC-51PW1M30-1000 | InGaN | White | Milky | 6000k | 500 | 1000 | 30 |

Notes:

- All dimensions are in millimeters (inches).
- Tolerance is $\pm 0.25\text{mm}(0.01")$ unless otherwise noted.

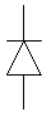
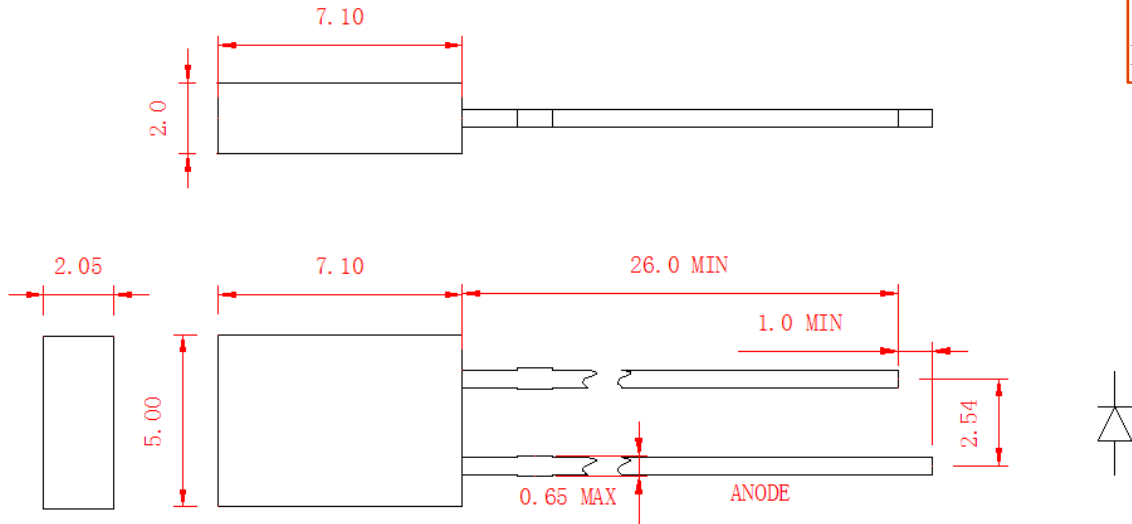


ABC COIL ELECTRONIC LIMITED

<https://www.abccoil.com>

email: sales@abccoil.com

THROUGH-HOLE LED



| P/N | DICE MATERIALS | EMITTED COLOR | LENS COLOR | λ D (nm) | Iv(mcd) @20mA | | VIEW ANGLE |
|---------------------|----------------|---------------|-----------------|------------------|---------------|------|------------|
| | | | | | MIN. | TYP. | |
| AC-522SR1W120-50 | AlGaAs | Red | Water Clear | 645 | 20 | 50 | 120 |
| AC-522UR2W120-500 | AlGaInP | Red | Water Clear | 625 | 200 | 500 | 120 |
| AC-522UA2W120-300 | AlGaInP | Amber | Water Clear | 605 | 100 | 300 | 120 |
| AC-522UY2W120-300 | AlGaInP | Yellow | Water Clear | 592 | 100 | 300 | 120 |
| AC-522UG1W120-300 | AlGaInP | Yellow Green | Water Clear | 572 | 100 | 300 | 120 |
| AC-522PG24W120-1000 | InGaN | Pure Green | Water Clear | 525 | 500 | 1000 | 120 |
| AC-522BL1W120-300 | InGaN | Blue | Water Clear | 465 | 100 | 300 | 120 |
| AC-522PW1W120-1000 | InGaN | White | Water Clear | 6000k | 500 | 1000 | 120 |
| AC-522SR1D160-10 | AlGaAs | Red | Red Diffused | 645 | 5 | 10 | 160 |
| AC-522UR2D160-50 | AlGaInP | Red | Red Diffused | 625 | 20 | 50 | 160 |
| AC-522UA2D160-50 | AlGaInP | Amber | Orange Diffused | 605 | 20 | 50 | 160 |
| AC-522UY2D160-50 | AlGaInP | Yellow | Yellow Diffused | 592 | 20 | 50 | 160 |
| AC-522UG1D160-50 | AlGaInP | Yellow Green | Green Diffused | 572 | 20 | 50 | 160 |
| AC-522PG24D160-100 | InGaN | Pure Green | Green Diffused | 525 | 50 | 100 | 160 |
| AC-522BL1D160-50 | InGaN | Blue | Blue Diffused | 465 | 20 | 50 | 160 |
| AC-522PW1M160-100 | InGaN | White | Milky | 6000k | 50 | 100 | 160 |

Notes:

- All dimensions are in millimeters (inches).
- Tolerance is $\pm 0.25\text{mm}(0.01\text{'})$ unless otherwise noted.

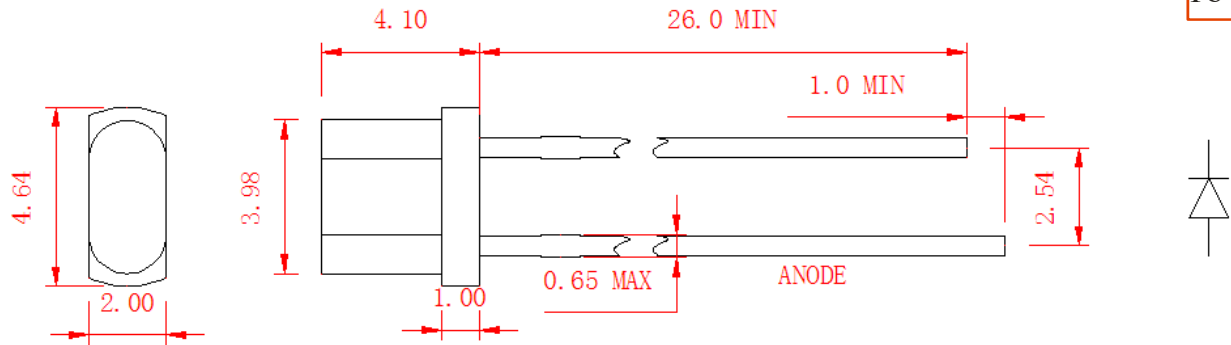


ABC COIL ELECTRONIC LIMITED

<https://www.abccoil.com>

email: sales@abccoil.com

THROUGH-HOLE LED



| P/N | DICE MATERIALS | EMITTED COLOR | LENS COLOR | λ D (nm) | Iv(mcd) @20mA | | VIEW ANGLE |
|--------------------|----------------|---------------|-----------------|------------------|---------------|------|------------|
| | | | | | MIN. | TYP. | |
| AC-525SR1W90-80 | AlGaAs | Red | Water Clear | 645 | 40 | 80 | 90 |
| AC-525UR2W90-300 | AlGaInP | Red | Water Clear | 625 | 100 | 300 | 90 |
| AC-525UA2W90-300 | AlGaInP | Amber | Water Clear | 605 | 100 | 300 | 90 |
| AC-525UY2W90-300 | AlGaInP | Yellow | Water Clear | 592 | 100 | 300 | 90 |
| AC-525UG1W90-300 | AlGaInP | Yellow Green | Water Clear | 572 | 100 | 300 | 90 |
| AC-525PG24W90-600 | InGaN | Pure Green | Water Clear | 525 | 300 | 600 | 90 |
| AC-525BL1W90-300 | InGaN | Blue | Water Clear | 465 | 100 | 300 | 90 |
| AC-525PW1W90-600 | InGaN | White | Water Clear | 6000k | 300 | 600 | 90 |
| AC-525SR1D130-20 | AlGaAs | Red | Red Diffused | 645 | 10 | 20 | 130 |
| AC-525UR2D130-100 | AlGaInP | Red | Red Diffused | 625 | 50 | 100 | 130 |
| AC-525UA2D130-80 | AlGaInP | Amber | Orange Diffused | 605 | 40 | 80 | 130 |
| AC-525UY2D130-80 | AlGaInP | Yellow | Yellow Diffused | 592 | 40 | 80 | 130 |
| AC-525UG1D130-80 | AlGaInP | Yellow Green | Green Diffused | 572 | 40 | 80 | 130 |
| AC-525PG24D130-200 | InGaN | Pure Green | Green Diffused | 525 | 100 | 200 | 130 |
| AC-525BL1D130-80 | InGaN | Blue | Blue Diffused | 465 | 40 | 80 | 130 |
| AC-525PW1M130-200 | InGaN | White | Milky | 6000k | 100 | 200 | 130 |

Notes:

1. All dimensions are in millimeters (inches).
2. Tolerance is $\pm 0.25\text{mm}(0.01\text{'})$ unless otherwise noted.

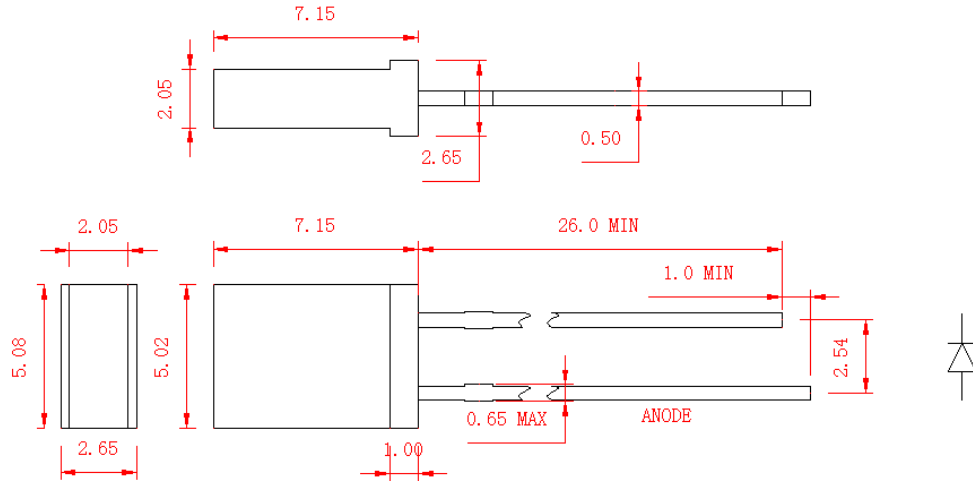


ABC COIL ELECTRONIC LIMITED

<https://www.abccoil.com>

email: sales@abccoil.com

THROUGH-HOLE LED



| P/N | DICE MATERIALS | EMITTED COLOR | LENS COLOR | λ D (nm) | Iv(mcd) @20mA | | VIEW ANGLE |
|---------------------|----------------|---------------|-----------------|------------------|---------------|------|------------|
| | | | | | MIN. | TYP. | |
| AC-527SR1W120-50 | AlGaAs | Red | Water Clear | 645 | 20 | 50 | 120 |
| AC-527UR2W120-500 | AlGaInP | Red | Water Clear | 625 | 200 | 500 | 120 |
| AC-527UA2W120-300 | AlGaInP | Amber | Water Clear | 605 | 100 | 300 | 120 |
| AC-527UY2W120-300 | AlGaInP | Yellow | Water Clear | 592 | 100 | 300 | 120 |
| AC-527UG1W120-300 | AlGaInP | Yellow Green | Water Clear | 572 | 100 | 300 | 120 |
| AC-527PG24W120-1000 | InGaN | Pure Green | Water Clear | 525 | 500 | 1000 | 120 |
| AC-527BL1W120-300 | InGaN | Blue | Water Clear | 465 | 100 | 300 | 120 |
| AC-527PW1W120-1000 | InGaN | White | Water Clear | 6000k | 500 | 1000 | 120 |
| AC-527SR1D160-20 | AlGaAs | Red | Red Diffused | 645 | 5 | 10 | 160 |
| AC-527UR2D160-100 | AlGaInP | Red | Red Diffused | 625 | 20 | 50 | 160 |
| AC-527UA2D160-80 | AlGaInP | Amber | Orange Diffused | 605 | 20 | 50 | 160 |
| AC-527UY2D160-80 | AlGaInP | Yellow | Yellow Diffused | 592 | 20 | 50 | 160 |
| AC-527UG1D160-80 | AlGaInP | Yellow Green | Green Diffused | 572 | 20 | 50 | 160 |
| AC-527PG24D160-200 | InGaN | Pure Green | Green Diffused | 525 | 50 | 100 | 160 |
| AC-527BL1D160-80 | InGaN | Blue | Blue Diffused | 465 | 20 | 50 | 160 |
| AC-527PW1M160-200 | InGaN | White | Milky | 6000k | 50 | 100 | 160 |

Notes:

1. All dimensions are in millimeters (inches).
2. Tolerance is $\pm 0.25\text{mm}(0.01\text{'})$ unless otherwise noted.

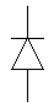
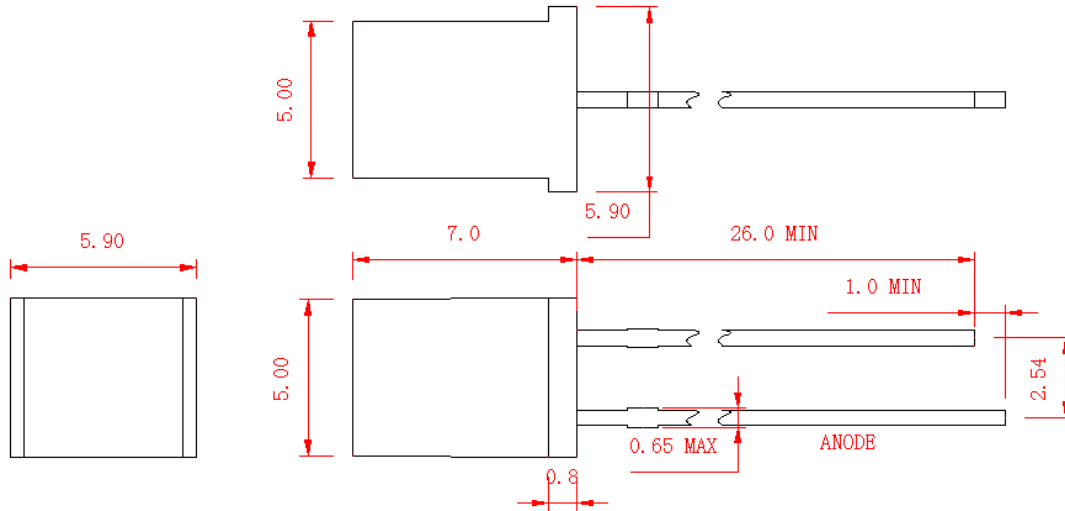


ABC COIL ELECTRONIC LIMITED

<https://www.abccoil.com>

email: sales@abccoil.com

THROUGH-HOLE LED



| P/N | DICE MATERIALS | EMITTED COLOR | LENS COLOR | λ D (nm) | Iv(mcd) @20mA | | VIEW ANGLE |
|--------------------|----------------|---------------|-----------------|------------------|---------------|------|------------|
| | | | | | MIN. | TYP. | |
| AC-528SR1W80-30 | AlGaAs | Red | Water Clear | 645 | 10 | 30 | 80 |
| AC-528UR2W80-150 | AlGaInP | Red | Water Clear | 625 | 70 | 150 | 80 |
| AC-528UA2W80-150 | AlGaInP | Amber | Water Clear | 605 | 70 | 150 | 80 |
| AC-528UY2W80-150 | AlGaInP | Yellow | Water Clear | 592 | 70 | 150 | 80 |
| AC-528UG1W80-150 | AlGaInP | Yellow Green | Water Clear | 572 | 70 | 150 | 80 |
| AC-528PG24W80-500 | InGaN | Pure Green | Water Clear | 525 | 200 | 500 | 80 |
| AC-528BL1W80-150 | InGaN | Blue | Water Clear | 465 | 70 | 150 | 80 |
| AC-528PW1W80-500 | InGaN | White | Water Clear | 6000k | 200 | 500 | 80 |
| AC-528SR1D110-20 | AlGaAs | Red | Red Diffused | 645 | 10 | 20 | 110 |
| AC-528UR2D110-100 | AlGaInP | Red | Red Diffused | 625 | 50 | 100 | 110 |
| AC-528UA2D110-60 | AlGaInP | Amber | Orange Diffused | 605 | 30 | 60 | 110 |
| AC-528UY2D110-60 | AlGaInP | Yellow | Yellow Diffused | 592 | 30 | 60 | 110 |
| AC-528UG1D110-60 | AlGaInP | Yellow Green | Green Diffused | 572 | 30 | 60 | 110 |
| AC-528PG24D110-200 | InGaN | Pure Green | Green Diffused | 525 | 100 | 200 | 110 |
| AC-528BL1D110-60 | InGaN | Blue | Blue Diffused | 465 | 30 | 60 | 110 |
| AC-528PW1M110-200 | InGaN | White | Milky | 6000k | 100 | 200 | 110 |

Notes:

1. All dimensions are in millimeters (inches).
2. Tolerance is $\pm 0.25\text{mm}(0.01\text{'})$ unless otherwise noted.

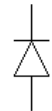
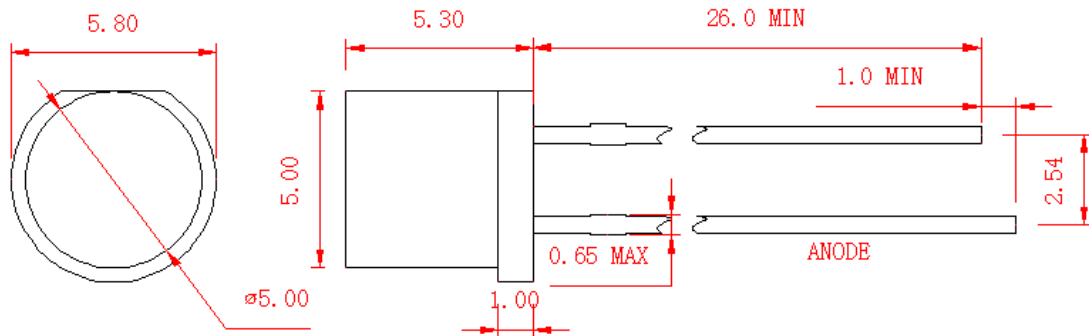


ABC COIL ELECTRONIC LIMITED

<https://www.abccoil.com>

email: sales@abccoil.com

THROUGH-HOLE LED



| P/N | DICE MATERIALS | EMITTED COLOR | LENS COLOR | λ D (nm) | Iv(mcd) @20mA | | VIEW ANGLE |
|------------------|----------------|---------------|-----------------|------------------|---------------|------|------------|
| | | | | | MIN. | TYP. | |
| AC-53SR1W50-50 | AlGaAs | Red | Water Clear | 645 | 20 | 50 | 50 |
| AC-53UR2W50-300 | AlGaInP | Red | Water Clear | 625 | 100 | 300 | 50 |
| AC-53UA2W50-200 | AlGaInP | Amber | Water Clear | 605 | 100 | 200 | 50 |
| AC-53UY2W50-200 | AlGaInP | Yellow | Water Clear | 592 | 100 | 200 | 50 |
| AC-53UG1W50-200 | AlGaInP | Yellow Green | Water Clear | 572 | 100 | 200 | 50 |
| AC-53PG24W50-800 | InGaN | Pure Green | Water Clear | 525 | 400 | 800 | 50 |
| AC-53BL1W50-300 | InGaN | Blue | Water Clear | 465 | 100 | 300 | 50 |
| AC-53PW1W50-800 | InGaN | White | Water Clear | 6000k | 400 | 800 | 50 |
| AC-53SR1D80-20 | AlGaAs | Red | Red Diffused | 645 | 10 | 20 | 80 |
| AC-53UR2D80-100 | AlGaInP | Red | Red Diffused | 625 | 50 | 100 | 80 |
| AC-53UA2D80-100 | AlGaInP | Amber | Orange Diffused | 605 | 50 | 100 | 80 |
| AC-53UY2D80-100 | AlGaInP | Yellow | Yellow Diffused | 592 | 50 | 100 | 80 |
| AC-53UG1D80-100 | AlGaInP | Yellow Green | Green Diffused | 572 | 50 | 100 | 80 |
| AC-53PG24D80-300 | InGaN | Pure Green | Green Diffused | 525 | 100 | 300 | 80 |
| AC-53BL1D80-100 | InGaN | Blue | Blue Diffused | 465 | 50 | 100 | 80 |
| AC-53PW1M80-300 | InGaN | White | Milky | 6000k | 100 | 300 | 80 |

Notes:

- All dimensions are in millimeters (inches).
- Tolerance is $\pm 0.25\text{mm}(0.01\text{'})$ unless otherwise noted.

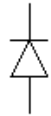
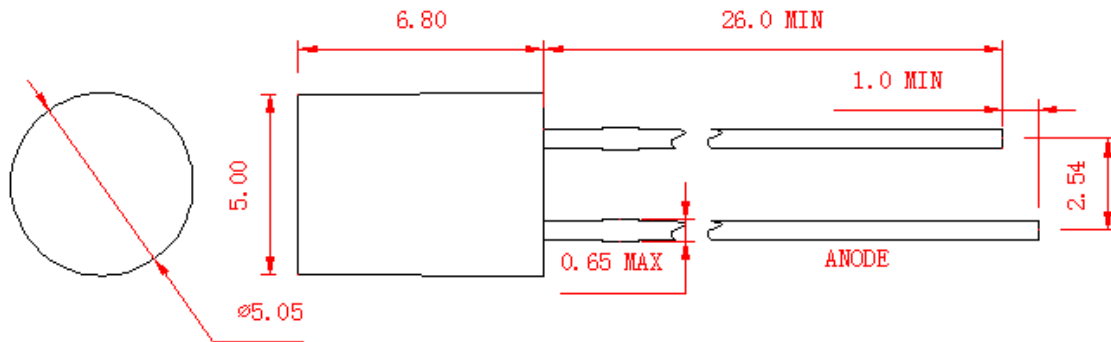


ABC COIL ELECTRONIC LIMITED

<https://www.abccoil.com>

email: sales@abccoil.com

THROUGH-HOLE LED



| P/N | DICE MATERIALS | EMITTED COLOR | LENS COLOR | λ D (nm) | Iv(mcd) @20mA | | VIEW ANGLE |
|-------------------|----------------|---------------|-----------------|------------------|---------------|------|------------|
| | | | | | MIN. | TYP. | |
| AC-531SR1W50-50 | AlGaAs | Red | Water Clear | 645 | 20 | 50 | 50 |
| AC-531UR2W50-300 | AlGaInP | Red | Water Clear | 625 | 100 | 300 | 50 |
| AC-531UA2W50-200 | AlGaInP | Amber | Water Clear | 605 | 100 | 200 | 50 |
| AC-531UY2W50-200 | AlGaInP | Yellow | Water Clear | 592 | 100 | 200 | 50 |
| AC-531UG1W50-200 | AlGaInP | Yellow Green | Water Clear | 572 | 100 | 200 | 50 |
| AC-531PG24W50-800 | InGaN | Pure Green | Water Clear | 525 | 400 | 800 | 50 |
| AC-531BL1W50-300 | InGaN | Blue | Water Clear | 465 | 100 | 300 | 50 |
| AC-531PW1W50-800 | InGaN | White | Water Clear | 6000k | 400 | 800 | 50 |
| AC-531SR1D80-20 | AlGaAs | Red | Red Diffused | 645 | 10 | 20 | 80 |
| AC-531UR2D80-100 | AlGaInP | Red | Red Diffused | 625 | 50 | 100 | 80 |
| AC-531UA2D80-100 | AlGaInP | Amber | Orange Diffused | 605 | 50 | 100 | 80 |
| AC-531UY2D80-100 | AlGaInP | Yellow | Yellow Diffused | 592 | 50 | 100 | 80 |
| AC-531UG1D80-100 | AlGaInP | Yellow Green | Green Diffused | 572 | 50 | 100 | 80 |
| AC-531PG24D80-300 | InGaN | Pure Green | Green Diffused | 525 | 100 | 300 | 80 |
| AC-531BL1D80-100 | InGaN | Blue | Blue Diffused | 465 | 50 | 100 | 80 |
| AC-531PW1M80-300 | InGaN | White | Milky | 6000k | 100 | 300 | 80 |

Notes:

1. All dimensions are in millimeters (inches).
2. Tolerance is $\pm 0.25\text{mm}(0.01\text{'})$ unless otherwise noted.

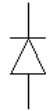
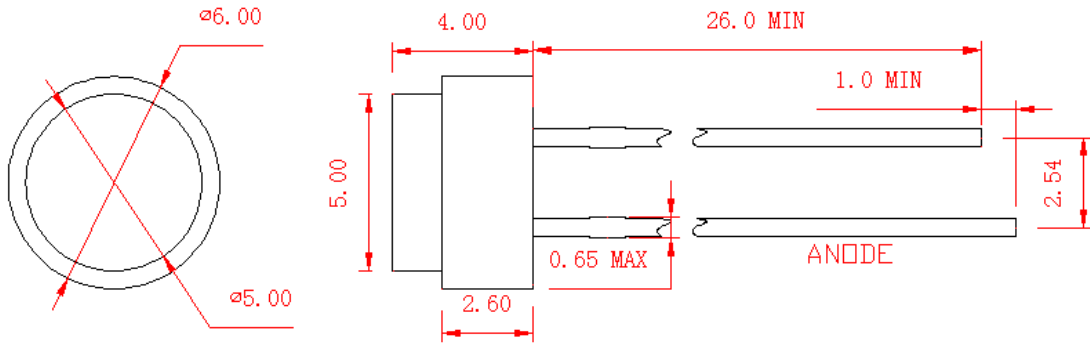


ABC COIL ELECTRONIC LIMITED

<https://www.abccoil.com>

email: sales@abccoil.com

THROUGH-HOLE LED



| P/N | DICE MATERIALS | EMITTED COLOR | LENS COLOR | λ D (nm) | Iv(mcd) @20mA | | VIEW ANGLE |
|-------------------|----------------|---------------|-----------------|------------------|---------------|------|------------|
| | | | | | MIN. | TYP. | |
| AC-533SR1W50-50 | AlGaAs | Red | Water Clear | 645 | 20 | 50 | 50 |
| AC-533UR2W50-300 | AlGaInP | Red | Water Clear | 625 | 100 | 300 | 50 |
| AC-533UA2W50-200 | AlGaInP | Amber | Water Clear | 605 | 100 | 200 | 50 |
| AC-533UY2W50-200 | AlGaInP | Yellow | Water Clear | 592 | 100 | 200 | 50 |
| AC-533UG1W50-200 | AlGaInP | Yellow Green | Water Clear | 572 | 100 | 200 | 50 |
| AC-533PG24W50-800 | InGaN | Pure Green | Water Clear | 525 | 400 | 800 | 50 |
| AC-533BL1W50-300 | InGaN | Blue | Water Clear | 465 | 100 | 300 | 50 |
| AC-533PW1W50-800 | InGaN | White | Water Clear | 6000k | 400 | 800 | 50 |
| AC-533SR1D80-20 | AlGaAs | Red | Red Diffused | 645 | 10 | 20 | 80 |
| AC-533UR2D80-100 | AlGaInP | Red | Red Diffused | 625 | 50 | 100 | 80 |
| AC-533UA2D80-100 | AlGaInP | Amber | Orange Diffused | 605 | 50 | 100 | 80 |
| AC-533UY2D80-100 | AlGaInP | Yellow | Yellow Diffused | 592 | 50 | 100 | 80 |
| AC-533UG1D80-100 | AlGaInP | Yellow Green | Green Diffused | 572 | 50 | 100 | 80 |
| AC-533PG24D80-300 | InGaN | Pure Green | Green Diffused | 525 | 100 | 300 | 80 |
| AC-533BL1D80-100 | InGaN | Blue | Blue Diffused | 465 | 50 | 100 | 80 |
| AC-533PW1M80-300 | InGaN | White | Milky | 6000k | 100 | 300 | 80 |

Notes:

1. All dimensions are in millimeters (inches).
2. Tolerance is $\pm 0.25\text{mm}(0.01\text{'})$ unless otherwise noted.

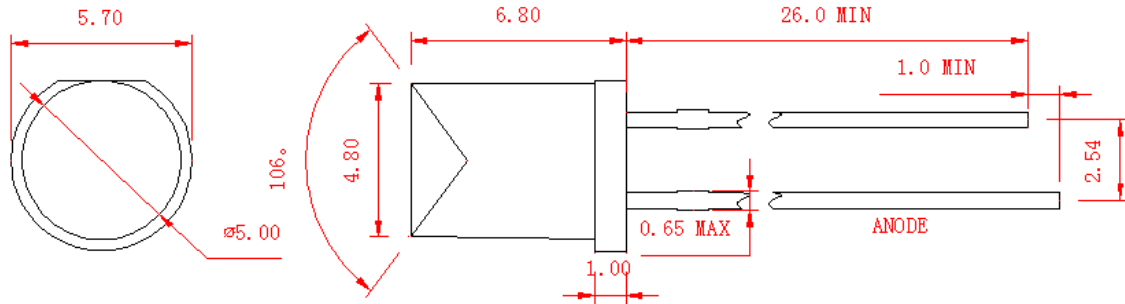


ABC COIL ELECTRONIC LIMITED

<https://www.abccoil.com>

email: sales@abccoil.com

THROUGH-HOLE LED



| P/N | DICE MATERIALS | EMITTED COLOR | LENS COLOR | λ D (nm) | I _v (mcd) @20mA | | VIEW ANGLE |
|-------------------|----------------|---------------|-----------------|------------------|----------------------------|------|------------|
| | | | | | MIN. | TYP. | |
| AC-54SR1W80-30 | AlGaAs | Red | Water Clear | 645 | 10 | 30 | 80 |
| AC-54UR2W80-200 | AlGaInP | Red | Water Clear | 625 | 100 | 200 | 80 |
| AC-54UA2W80-80 | AlGaInP | Amber | Water Clear | 605 | 50 | 80 | 80 |
| AC-54UY2W80-80 | AlGaInP | Yellow | Water Clear | 592 | 50 | 80 | 80 |
| AC-54UG1W80-80 | AlGaInP | Yellow Green | Water Clear | 572 | 50 | 80 | 80 |
| AC-54PG24W80-500 | InGaN | Pure Green | Water Clear | 525 | 200 | 500 | 80 |
| AC-54BL1W80-100 | InGaN | Blue | Water Clear | 465 | 50 | 100 | 80 |
| AC-54PW1W80-500 | InGaN | White | Water Clear | 6000k | 200 | 500 | 80 |
| AC-54SR1D120-10 | AlGaAs | Red | Red Diffused | 645 | 5 | 10 | 120 |
| AC-54UR2D120-80 | AlGaInP | Red | Red Diffused | 625 | 40 | 80 | 120 |
| AC-54UA2D120-50 | AlGaInP | Amber | Orange Diffused | 605 | 20 | 50 | 120 |
| AC-54UY2D120-50 | AlGaInP | Yellow | Yellow Diffused | 592 | 20 | 50 | 120 |
| AC-54UG1D120-50 | AlGaInP | Yellow Green | Green Diffused | 572 | 20 | 50 | 120 |
| AC-54PG24D120-100 | InGaN | Pure Green | Green Diffused | 525 | 50 | 100 | 120 |
| AC-54BL1D120-50 | InGaN | Blue | Blue Diffused | 465 | 20 | 50 | 120 |
| AC-54PW1M120-100 | InGaN | White | Milky | 6000k | 50 | 100 | 120 |

Notes:

- All dimensions are in millimeters (inches).
- Tolerance is $\pm 0.25\text{mm}(0.01")$ unless otherwise noted.