

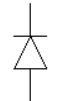
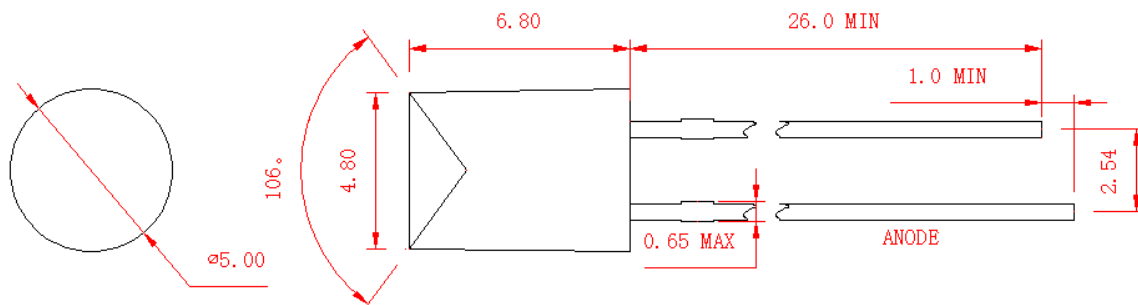


# ABC COIL ELECTRONIC LIMITED

<https://www.abccoil.com>

email: [sales@abccoil.com](mailto:sales@abccoil.com)

## THROUGH-HOLE LED



P/N	DICE MATERIALS	EMITTED COLOR	LENS COLOR	$\lambda$ D (nm)	Iv(mcd) @20mA		VIEW ANGLE
					MIN.	TYP.	
AC-541SR1W80-30	AlGaAs	Red	Water Clear	645	10	30	80
AC-541UR2W80-200	AlGaInP	Red	Water Clear	625	100	200	80
AC-541UA2W80-80	AlGaInP	Amber	Water Clear	605	50	80	80
AC-541UY2W80-80	AlGaInP	Yellow	Water Clear	592	50	80	80
AC-541UG1W80-80	AlGaInP	Yellow Green	Water Clear	572	50	80	80
AC-541PG24W80-500	InGaN	Pure Green	Water Clear	525	200	500	80
AC-541BL1W80-100	InGaN	Blue	Water Clear	465	50	100	80
AC-541PW1W80-500	InGaN	White	Water Clear	6000k	200	500	80
AC-541SR1D120-10	AlGaAs	Red	Red Diffused	645	5	10	120
AC-541UR2D120-80	AlGaInP	Red	Red Diffused	625	40	80	120
AC-541UA2D120-50	AlGaInP	Amber	Orange Diffused	605	20	50	120
AC-541UY2D120-50	AlGaInP	Yellow	Yellow Diffused	592	20	50	120
AC-541UG1D120-50	AlGaInP	Yellow Green	Green Diffused	572	20	50	120
AC-541PG24D120-100	InGaN	Pure Green	Green Diffused	525	50	100	120
AC-541BL1D120-50	InGaN	Blue	Blue Diffused	465	20	50	120
AC-541PW1M120-100	InGaN	White	Milky	6000k	50	100	120

### Notes:

1. All dimensions are in millimeters (inches).
2. Tolerance is  $\pm 0.25\text{mm}(0.01\text{'})$  unless otherwise noted.

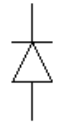
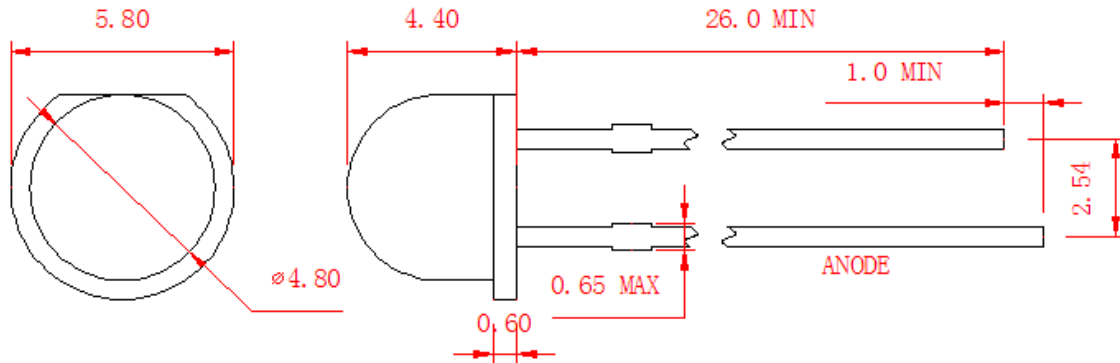


# ABC COIL ELECTRONIC LIMITED

<https://www.abccoil.com>

email: [sales@abccoil.com](mailto:sales@abccoil.com)

## THROUGH-HOLE LED



P/N	DICE MATERIALS	EMITTED COLOR	LENS COLOR	λ D (nm)	Iv(mcd) @20mA		VIEW ANGLE
					MIN.	TYP.	
AC-55SR1W30-50	AlGaAs	Red	Water Clear	645	20	50	30
AC-55UR2W30-500	AlGaInP	Red	Water Clear	625	200	500	30
AC-55UA2W30-200	AlGaInP	Amber	Water Clear	605	100	200	30
AC-55UY2W30-200	AlGaInP	Yellow	Water Clear	592	100	200	30
AC-55UG1W30-200	AlGaInP	Yellow Green	Water Clear	572	100	200	30
AC-55PG24W30-3000	InGaN	Pure Green	Water Clear	525	1000	3000	30
AC-55BL1W30-200	InGaN	Blue	Water Clear	465	100	200	30
AC-55PW1W30-2000	InGaN	White	Water Clear	6000k	1000	2000	30
AC-55SR1D80-30	AlGaAs	Red	Red Diffused	645	10	30	80
AC-55UR2D80-200	AlGaInP	Red	Red Diffused	625	100	200	80
AC-55UA2D80-100	AlGaInP	Amber	Orange Diffused	605	50	100	80
AC-55UY2D80-100	AlGaInP	Yellow	Yellow Diffused	592	50	100	80
AC-55UG1D80-100	AlGaInP	Yellow Green	Green Diffused	572	50	100	80
AC-55PG24D80-500	InGaN	Pure Green	Green Diffused	525	200	500	80
AC-55BL1D80-100	InGaN	Blue	Blue Diffused	465	50	100	80
AC-55PW1M80-500	InGaN	White	Milky	6000k	200	500	80

Notes:

1. All dimensions are in millimeters (inches).
2. Tolerance is  $\pm 0.25\text{mm}(0.01\text{'})$  unless otherwise noted.

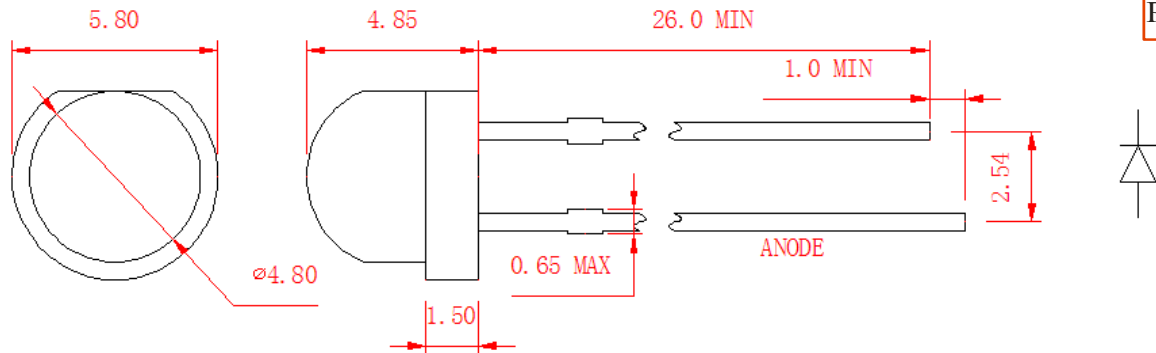


# ABC COIL ELECTRONIC LIMITED

<https://www.abccoil.com>

email: [sales@abccoil.com](mailto:sales@abccoil.com)

## THROUGH-HOLE LED



P/N	DICE MATERIALS	EMITTED COLOR	LENS COLOR	$\lambda$ D (nm)	Iv(mcd) @20mA		VIEW ANGLE
					MIN.	TYP.	
AC-553SR1W40-50	AlGaAs	Red	Water Clear	645	20	50	40
AC-553UR2W40-500	AlGaInP	Red	Water Clear	625	200	500	40
AC-553UA2W40-200	AlGaInP	Amber	Water Clear	605	100	200	40
AC-553UY2W40-200	AlGaInP	Yellow	Water Clear	592	100	200	40
AC-553UG1W40-200	AlGaInP	Yellow Green	Water Clear	572	100	200	40
AC-553PG24W40-3000	InGaN	Pure Green	Water Clear	525	1000	3000	40
AC-553BL1W40-200	InGaN	Blue	Water Clear	465	100	200	40
AC-553PW1W50-2000	InGaN	White	Water Clear	6000k	1000	2000	50
AC-553SR1D120-30	AlGaAs	Red	Red Diffused	645	10	30	120
AC-553UR2D120-200	AlGaInP	Red	Red Diffused	625	100	200	120
AC-553UA2D120-100	AlGaInP	Amber	Orange Diffused	605	50	100	120
AC-553UY2D120-100	AlGaInP	Yellow	Yellow Diffused	592	50	100	120
AC-553UG1D120-100	AlGaInP	Yellow Green	Green Diffused	572	50	100	120
AC-553PG24D120-500	InGaN	Pure Green	Green Diffused	525	200	500	120
AC-553BL1D120-100	InGaN	Blue	Blue Diffused	465	50	100	120
AC-553PW1M120-500	InGaN	White	Milky	6000k	200	500	120

### Notes:

1. All dimensions are in millimeters (inches).
2. Tolerance is  $\pm 0.25\text{mm}(0.01\text{'})$  unless otherwise noted.

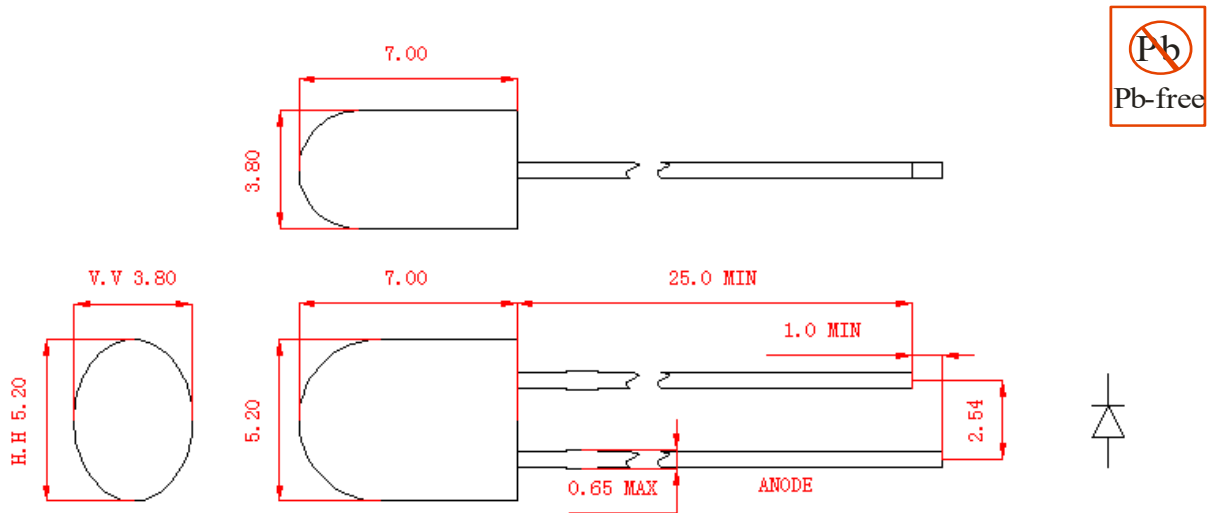


# ABC COIL ELECTRONIC LIMITED

<https://www.abccoil.com>

email: [sales@abccoil.com](mailto:sales@abccoil.com)

## THROUGH-HOLE LED



P/N	DICE MATERIALS	EMITTED COLOR	LENS COLOR	$\lambda$ D (nm)	Iv(mcd) @20mA		VIEW ANGLE
					MIN.	TYP.	
AC-574SR1W50-100	AlGaAs	Red	Water Clear	645	50	100	50
AC-574UR2W50-2000	AlGaInP	Red	Water Clear	625	1000	2000	50
AC-574UA2W50-500	AlGaInP	Amber	Water Clear	605	200	500	50
AC-574UY2W50-500	AlGaInP	Yellow	Water Clear	592	200	500	50
AC-574UG1W50-500	AlGaInP	Yellow Green	Water Clear	572	200	500	50
AC-574PG24W50-3000	InGaN	Pure Green	Water Clear	525	1000	3000	50
AC-574BL1W50-800	InGaN	Blue	Water Clear	465	400	800	50
AC-574PW1W70-3000	InGaN	White	Water Clear	6000k	1000	3000	70
AC-574SR1D100-50	AlGaAs	Red	Red Diffused	645	20	50	100
AC-574UR2D100-1000	AlGaInP	Red	Red Diffused	625	500	1000	100
AC-574UA2D100-200	AlGaInP	Amber	Orange Diffused	605	100	200	100
AC-574UY2D100-200	AlGaInP	Yellow	Yellow Diffused	592	100	200	100
AC-574UG1D100-200	AlGaInP	Yellow Green	Green Diffused	572	100	200	100
AC-574PG24D100-1800	InGaN	Pure Green	Green Diffused	525	1000	1800	100
AC-574BL1D100-400	InGaN	Blue	Blue Diffused	465	200	400	100
AC-574PW1M100-1500	InGaN	White	Milky	6000k	800	1500	100

### Notes:

1. All dimensions are in millimeters (inches).
2. Tolerance is  $\pm 0.25\text{mm}(0.01\text{'})$  unless otherwise noted.

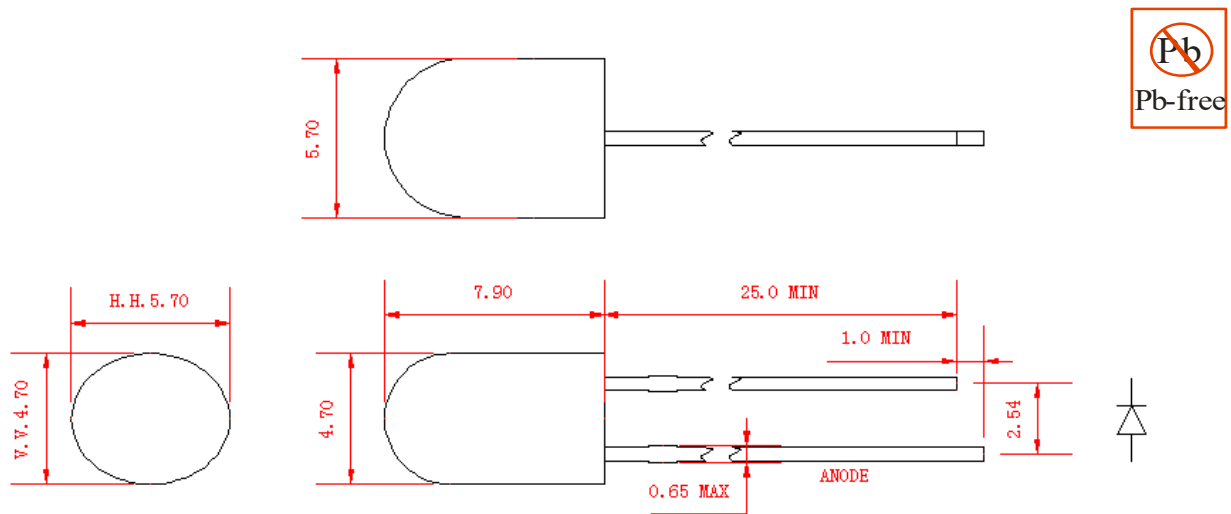


# ABC COIL ELECTRONIC LIMITED

<https://www.abccoil.com>

email: [sales@abccoil.com](mailto:sales@abccoil.com)

## THROUGH-HOLE LED



P/N	DICE MATERIALS	EMITTED COLOR	LENS COLOR	$\lambda$ D (nm)	Iv(mcd) @20mA		VIEW ANGLE
					MIN.	TYP.	
AC-575SR1W30-100	AlGaAs	Red	Water Clear	645	50	100	30
AC-575UR2W30-2000	AlGaInP	Red	Water Clear	625	1000	2000	30
AC-575UA2W30-500	AlGaInP	Amber	Water Clear	605	200	500	30
AC-575UY2W30-500	AlGaInP	Yellow	Water Clear	592	200	500	30
AC-575UG1W30-500	AlGaInP	Yellow Green	Water Clear	572	200	500	30
AC-575PG24W30-3000	InGaN	Pure Green	Water Clear	525	1000	3000	30
AC-575BL1W30-800	InGaN	Blue	Water Clear	465	400	800	30
AC-575PW1W30-3000	InGaN	White	Water Clear	6000k	1000	3000	30
AC-575SR1D60-50	AlGaAs	Red	Red Diffused	645	20	50	60
AC-575UR2D60-1000	AlGaInP	Red	Red Diffused	625	500	1000	60
AC-575UA2D60-200	AlGaInP	Amber	Orange Diffused	605	100	200	60
AC-575UY2D60-200	AlGaInP	Yellow	Yellow Diffused	592	100	200	60
AC-575UG1D60-200	AlGaInP	Yellow Green	Green Diffused	572	100	200	60
AC-575PG24D60-1800	InGaN	Pure Green	Green Diffused	525	1000	1800	60
AC-575BL1D60-400	InGaN	Blue	Blue Diffused	465	200	400	60
AC-575PW1M60-1500	InGaN	White	Milky	6000k	800	1500	60

### Notes:

1. All dimensions are in millimeters (inches).
2. Tolerance is  $\pm 0.25\text{mm}(0.01\text{'})$  unless otherwise noted.

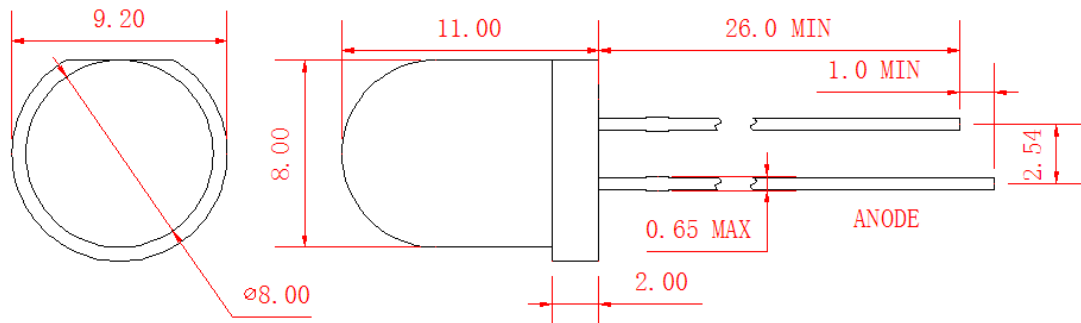


# ABC COIL ELECTRONIC LIMITED

<https://www.abccoil.com>

email: [sales@abccoil.com](mailto:sales@abccoil.com)

## THROUGH-HOLE LED



P/N	DICE MATERIALS	EMITTED COLOR	LENS COLOR	$\lambda$ D (nm)	Iv(mcd) @20mA		VIEW ANGLE
					MIN.	TYP.	
AC-80SR1W20-200	AlGaAs	Red	Water Clear	645	100	200	20
AC-80UR2W20-5000	AlGaInP	Red	Water Clear	625	2000	5000	20
AC-80UA2W20-1500	AlGaInP	Amber	Water Clear	605	800	1500	20
AC-80UY2W20-4000	AlGaInP	Yellow	Water Clear	592	2000	4000	20
AC-80UG1W20-1500	AlGaInP	Yellow Green	Water Clear	572	800	1500	20
AC-80PG24W20-10000	InGaN	Pure Green	Water Clear	525	5000	10000	20
AC-80BL1W20-4000	InGaN	Blue	Water Clear	465	2000	4000	20
AC-80PW1W20-10000	InGaN	White	Water Clear	6000k	5000	10000	20
AC-80SR1D40-10	AlGaAs	Red	Red Diffused	645	5	10	40
AC-80UR2D40-800	AlGaInP	Red	Red Diffused	625	400	800	40
AC-80UA2D40-200	AlGaInP	Amber	Orange Diffused	605	100	200	40
AC-80UY2D40-500	AlGaInP	Yellow	Yellow Diffused	592	200	500	40
AC-80UG1D40-200	AlGaInP	Yellow Green	Green Diffused	572	100	200	40
AC-80PG24D40-1000	InGaN	Pure Green	Green Diffused	525	500	1000	40
AC-80BL1D40-200	InGaN	Blue	Blue Diffused	465	100	200	40
AC-80PW1M40-1000	InGaN	White	Milky	6000k	500	1000	40

### Notes:

1. All dimensions are in millimeters (inches).
2. Tolerance is  $\pm 0.25\text{mm}(0.01\text{'})$  unless otherwise noted.

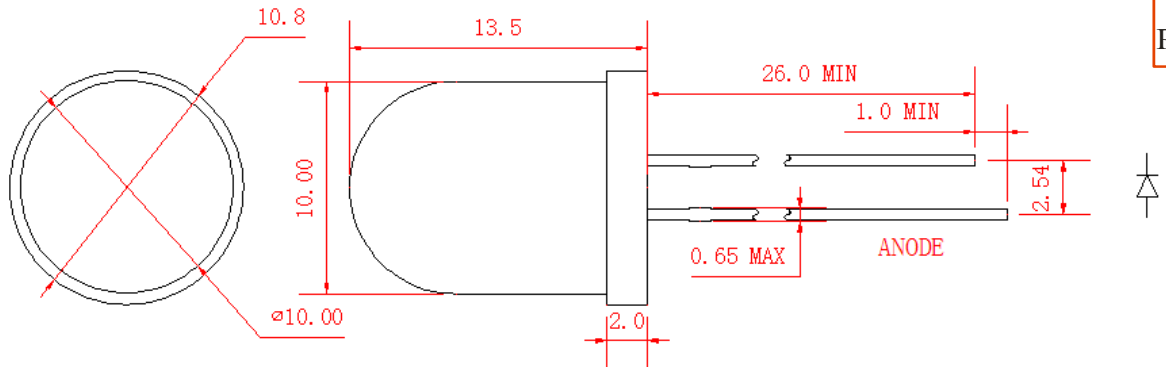


# ABC COIL ELECTRONIC LIMITED

<https://www.abccoil.com>

email: [sales@abccoil.com](mailto:sales@abccoil.com)

## THROUGH-HOLE LED



P/N	DICE MATERIALS	EMITTED COLOR	LENS COLOR	$\lambda$ D (nm)	Iv(mcd) @20mA		VIEW ANGLE
					MIN.	TYP.	
AC-100SR1W20-200	AlGaAs	Red	Water Clear	645	100	200	20
AC-100UR2W20-5000	AlGaInP	Red	Water Clear	625	2000	5000	20
AC-100UA2W20-1500	AlGaInP	Amber	Water Clear	605	800	1500	20
AC-100UY2W20-4000	AlGaInP	Yellow	Water Clear	592	2000	4000	20
AC-100UG1W20-1500	AlGaInP	Yellow Green	Water Clear	572	800	1500	20
AC-100PG24W20-20000	InGaN	Pure Green	Water Clear	525	5000	20000	20
AC-100BL1W20-4000	InGaN	Blue	Water Clear	465	2000	4000	20
AC-100PW1W20-20000	InGaN	White	Water Clear	6000k	5000	20000	20
AC-100SR1D40-10	AlGaAs	Red	Red Diffused	645	5	10	40
AC-100UR2D40-800	AlGaInP	Red	Red Diffused	625	400	800	40
AC-100UA2D40-200	AlGaInP	Amber	Orange Diffused	605	100	200	40
AC-100UY2D40-500	AlGaInP	Yellow	Yellow Diffused	592	200	500	40
AC-100UG1D40-200	AlGaInP	Yellow Green	Green Diffused	572	100	200	40
AC-100PG24D40-1000	InGaN	Pure Green	Green Diffused	525	500	1000	40
AC-100BL1D40-200	InGaN	Blue	Blue Diffused	465	100	200	40
AC-100PW1M40-1000	InGaN	White	Milky	6000k	500	1000	40

Notes:

1. All dimensions are in millimeters (inches).
2. Tolerance is  $\pm 0.25\text{mm}(0.01\text{'})$  unless otherwise noted.

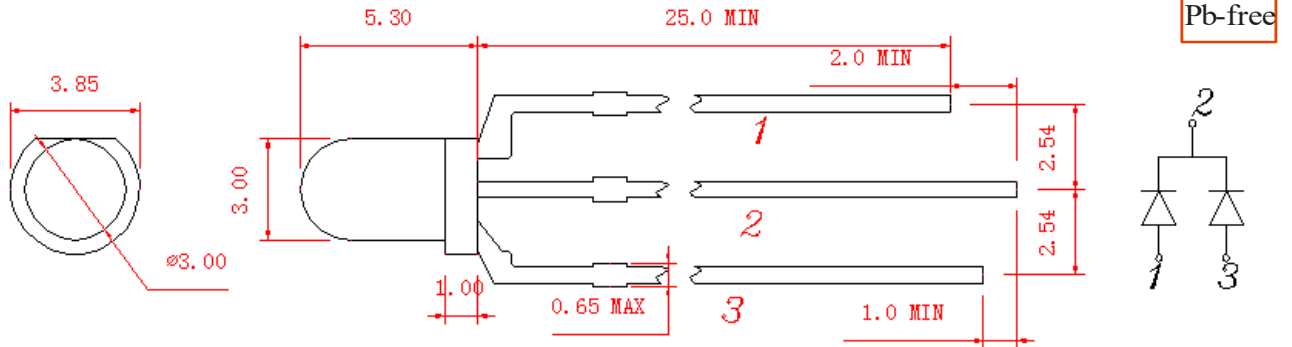


# ABC COIL ELECTRONIC LIMITED

<https://www.abccoil.com>

email: [sales@abccoil.com](mailto:sales@abccoil.com)

## THROUGH-HOLE LED



P/N	DICE MATERIALS	EMITTED COLOR	LENS COLOR	$\lambda$ D (nm)	Iv(mcd) @20mA		VIEW ANGLE
					MIN.	TYP.	
AC-30UR1UY1W30-500N	AlGaInP	Red	Water	625	200	500	30
	AlGaInP	Yellow	Clear	592	200	500	30
AC-30UR1UG1W30-500N	AlGaInP	Red	Water	625	200	500	30
	AlGaInP	Yellow Green	Clear	572	200	500	30
AC-30UR2PG24W30-2000N	AlGaInP	Red	Water	625	500	1000	30
	InGaN	Pure Green	Clear	525	1000	3000	30
AC-30UR2BL1W30-1000N	AlGaInP	Red	Water	625	500	1000	30
	InGaN	Blue	Clear	465	500	1000	30
AC-30UR1UY1M60-100N	AlGaInP	Red	Milky	625	50	100	60
	AlGaInP	Yellow		592	50	100	60
AC-30UR2UG1M60-100N	AlGaInP	Red	Milky	625	50	100	60
	AlGaInP	Yellow Green		572	50	100	60
AC-30UR2PG24M60-400N	AlGaInP	Red	Milky	625	50	100	60
	InGaN	Pure Green		525	100	400	60
AC-30UR2BL1M60-200N	AlGaInP	Red	Milky	625	50	100	60
	InGaN	Blue		465	100	200	60

### Notes:

1. All dimensions are in millimeters (inches).
2. Tolerance is  $\pm 0.25\text{mm}(0.01\text{'})$  unless otherwise noted.



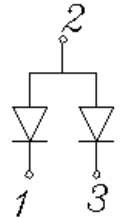
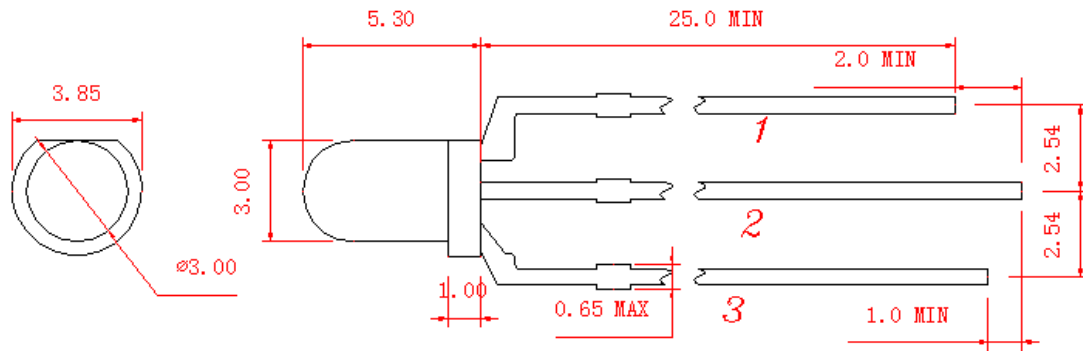


# ABC COIL ELECTRONIC LIMITED

<https://www.abccoil.com>

email: [sales@abccoil.com](mailto:sales@abccoil.com)

## THROUGH-HOLE LED



P/N	DICE MATERIALS	EMITTED COLOR	LENS COLOR	$\lambda$ D (nm)	Iv(mcd) @20mA		VIEW ANGLE
					MIN.	TYP.	
AC-30SR1YG2W30-100	AlGaAs	Red	Water Clear	645	50	100	30
	GaP	Yellow Green		572	50	100	
AC-30UR2UY2W30-2000	AlGaInP	Red	Water Clear	625	1000	2000	30
	AlGaInP	Yellow		590	1000	2000	
AC-30UR2PG24W30-2000	AlGaInP	Red	Water Clear	625	1000	2000	30
	InGaN	Pure Green		525	1000	3000	
AC-30UR2BL1W60-1000	AlGaInP	Red	Water Clear	625	1000	2000	30
	InGaN	Blue		465	500	1000	
AC-30SR1YG1M60-20	AlGaAs	Red	Milky	645	10	20	60
	GaP	Yellow Green		572	10	20	
AC-30UR2UY2M30-500	AlGaInP	Red	Milky	625	200	500	60
	AlGaInP	Yellow		590	200	500	
AC-30UR2PG24M60-500	AlGaInP	Red	Milky	625	200	500	60
	InGaN	Pure Green		525	200	500	
AC-30UR2BL1M60-200	AlGaInP	Red	Milky	625	100	500	60
	InGaN	Blue		465	100	200	

### Notes:

1. All dimensions are in millimeters (inches).
2. Tolerance is  $\pm 0.25\text{mm}$  (0.01") unless otherwise noted.

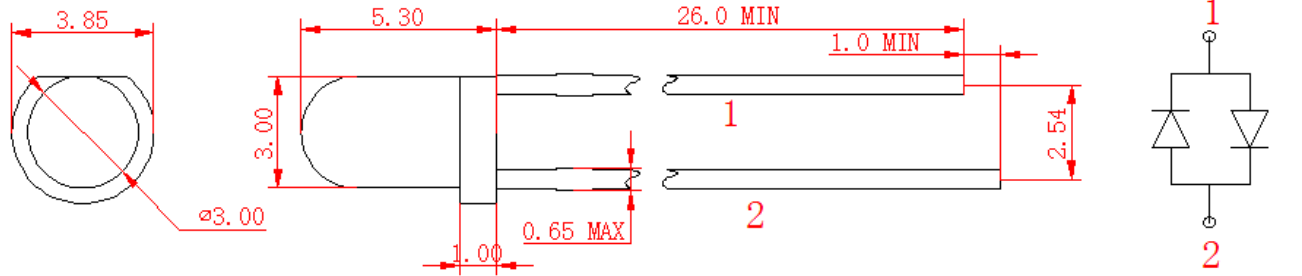


# ABC COIL ELECTRONIC LIMITED

<https://www.abccoil.com>

email: [sales@abccoil.com](mailto:sales@abccoil.com)

## THROUGH-HOLE LED



P/N	DICE MATERIALS	EMITTED COLOR	LENS COLOR	$\lambda$ D (nm)	Iv(mcd) @20mA		VIEW ANGLE
					MIN.	TYP.	
AC-30UR1UY1W30-500	AlGaInP	Red	Water	625	200	500	30
	AlGaInP	Yellow	Clear	592	200	500	30
AC-30UR1UG1W30-500	AlGaInP	Red	Water	625	200	500	30
	AlGaInP	Yellow Green	Clear	572	200	500	30
AC-30UR2PG24W30-2000	AlGaInP	Red	Water	625	500	1000	30
	InGaN	Pure Green	Clear	525	1000	3000	30
AC-30UR2BL1W30-1000	AlGaInP	Red	Water	625	500	1000	30
	InGaN	Blue	Clear	465	500	1000	30
AC-30UR1UY1M60-100	AlGaInP	Red	Milky	625	50	100	60
	AlGaInP	Yellow		592	50	100	60
AC-30UR2UG1M60-100	AlGaInP	Red	Milky	625	50	100	60
	AlGaInP	Yellow Green		572	50	100	60
AC-30UR2PG24M60-400	AlGaInP	Red	Milky	625	50	100	60
	InGaN	Pure Green		525	100	400	60
AC-30UR2BL1M60-200	AlGaInP	Red	Milky	625	50	100	60
	InGaN	Blue		465	100	200	60

**Notes:**

1. All dimensions are in millimeters (inches).
2. Tolerance is  $\pm 0.25\text{mm}(0.01\text{'})$  unless otherwise noted.