

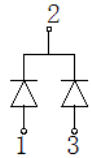
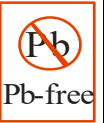
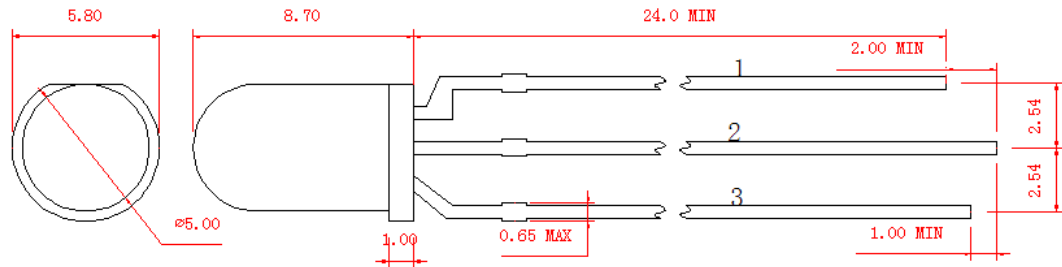


ABC COIL ELECTRONIC LIMITED

<https://www.abccoil.com>

email: sales@abccoil.com

THROUGH-HOLE LED



P/N	DICE MATERIALS	EMITTED COLOR	LENS COLOR	λ D (nm)	Iv(mcd) @20mA		VIEW ANGLE
					MIN.	TYP.	
AC-50UR2UY1W15-2000N	AlGaInP	Red	Water	625	1000	2000	15
	AlGaInP	Yellow	Clear	592	1000	2000	15
AC-50UR2UG1W15-2000N	AlGaInP	Red	Water	625	1000	2000	15
	AlGaInP	Yellow Green	Clear	572	1000	2000	15
AC-50UR2PG24W15-2000N	AlGaInP	Red	Water	625	1000	2000	15
	InGaN	Pure Green	Clear	525	3000	8000	15
AC-50UR2BL1W15-2000N	AlGaInP	Red	Water	625	1000	2000	15
	InGaN	Blue	Clear	465	1000	3000	15
AC-50UR2UY1M30-500N	AlGaInP	Red	Milky	625	200	500	30
	AlGaInP	Yellow		592	200	500	30
AC-50UR2UG1M30-2000N	AlGaInP	Red	Milky	625	200	500	30
	AlGaInP	Yellow Green		572	200	500	30
AC-50UR2PG24M30-2000N	AlGaInP	Red	Milky	625	200	500	30
	InGaN	Pure Green		525	500	1000	30
AC-50UR2BL1M30-2000N	AlGaInP	Red	Milky	625	200	500	30
	InGaN	Blue		465	200	500	30

Notes:

1. All dimensions are in millimeters (inches).
2. Tolerance is $\pm 0.25\text{mm}(0.01\text{'})$ unless otherwise noted.

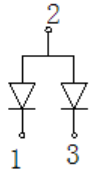
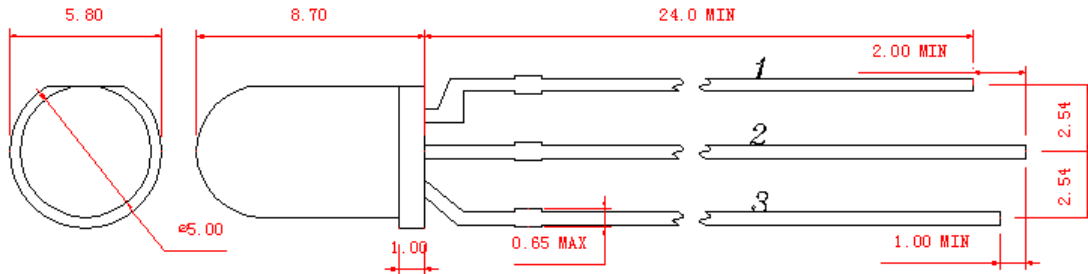


ABC COIL ELECTRONIC LIMITED

<https://www.abccoil.com>

email: sales@abccoil.com

THROUGH-HOLE LED



P/N	DICE MATERIALS	EMITTED COLOR	LENS COLOR	λ D (nm)	Iv(mcd) @20mA		VIEW ANGLE
					MIN.	TYP.	
AC-50SR1YG2W15-200	AlGaAs	Red	Water Clear	645	100	200	15
	GaP	Yellow Green		572	100	200	
AC-50UR2UY2W15-2000	AlGaInP	Red	Water Clear	625	1000	2000	15
	AlGaInP	Yellow		592	1000	2000	
AC-50UR2PG24W15-2000	AlGaInP	Red	Water Clear	625	1000	2000	15
	InGaN	Pure Green		525	3000	8000	
AC-50UR2BL1W15-2000	AlGaInP	Red	Water Clear	625	1000	2000	15
	InGaN	Blue		465	1000	3000	
AC-50SR1YG2M30-20	AlGaAs	Red	Milky	625	200	500	30
	GaP	Yellow Green		592	200	500	
AC-50UR2UY2M30-500	AlGaInP	Red	Milky	625	200	500	30
	AlGaInP	Yellow		592	200	500	
AC-50UR2PG24M30-500	AlGaInP	Red	Milky	625	200	500	30
	InGaN	Pure Green		525	500	1000	
AC-50UR2BL1M30-500	AlGaInP	Red	Milky	625	200	500	30
	InGaN	Blue		465	200	500	

Notes:

- All dimensions are in millimeters (inches).
- Tolerance is $\pm 0.25\text{mm}(0.01\text{'})$ unless otherwise noted.

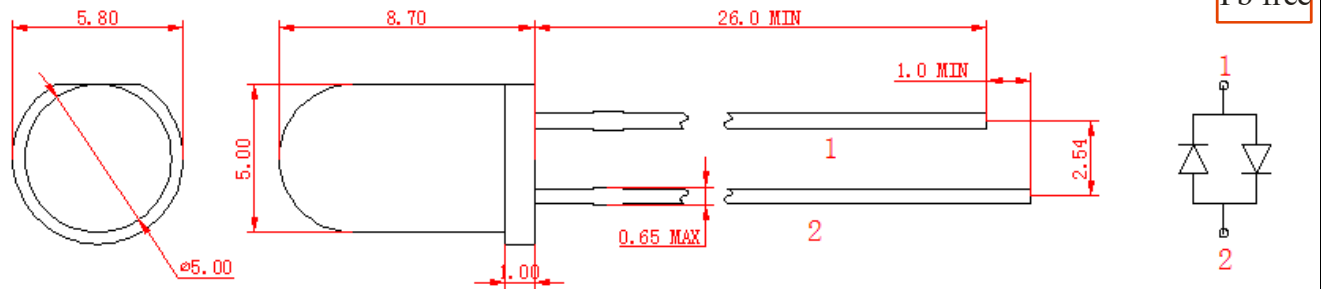


ABC COIL ELECTRONIC LIMITED

<https://www.abccoil.com>

email: sales@abccoil.com

THROUGH-HOLE LED



P/N	DICE MATERIALS	EMITTED COLOR	LENS COLOR	λ D (nm)	Iv(mcd) @20mA		VIEW ANGLE
					MIN.	TYP.	
AC-50UR2UY1W15-2000	AlGaInP	Red	Water	625	1000	2000	15
	AlGaInP	Yellow	Clear	592	1000	2000	15
AC-50UR2UG1W15-2000	AlGaInP	Red	Water	625	1000	2000	15
	AlGaInP	Yellow Green	Clear	572	1000	2000	15
AC-50UR2PG24W15-2000	AlGaInP	Red	Water	625	1000	2000	15
	InGaN	Pure Green	Clear	525	3000	8000	15
AC-50UR2BL1W15-2000	AlGaInP	Red	Water	625	1000	2000	15
	InGaN	Blue	Clear	465	1000	3000	15
AC-50UR2UY1M30-500	AlGaInP	Red	Milky	625	200	500	30
	AlGaInP	Yellow		592	200	500	30
AC-50UR2UG1M30-2000	AlGaInP	Red	Milky	625	200	500	30
	AlGaInP	Yellow Green		572	200	500	30
AC-50UR2PG24M30-2000	AlGaInP	Red	Milky	625	200	500	30
	InGaN	Pure Green		525	500	1000	30
AC-50UR2BL1M30-2000	AlGaInP	Red	Milky	625	200	500	30
	InGaN	Blue		465	200	500	30

Notes:

1. All dimensions are in millimeters (inches).
2. Tolerance is $\pm 0.25\text{mm}(0.01\text{'})$ unless otherwise noted.

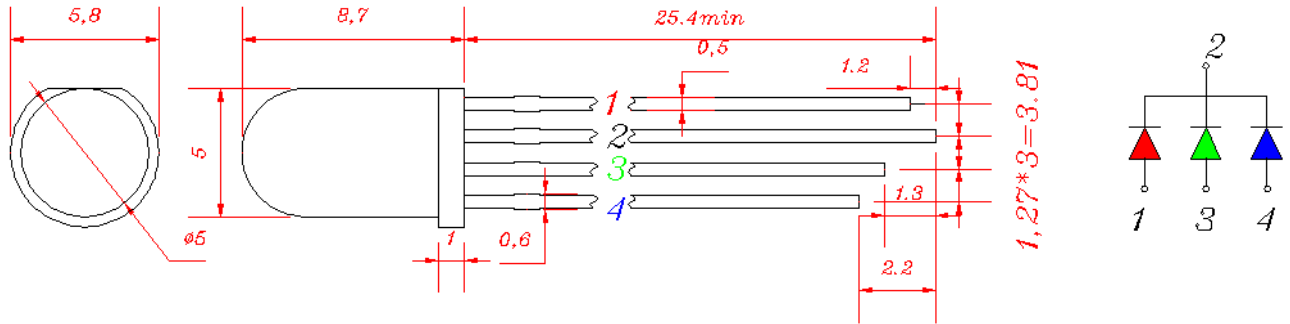


ABC COIL ELECTRONIC LIMITED

<https://www.abccoil.com>

email: sales@abccoil.com

THROUGH-HOLE LED



P/N	DICE MATERIALS	EMITTED COLOR	LENS COLOR	λ D (nm)	Iv(mcd) @60mA		VIEW ANGLE
					MIN.	TYP.	
AC-50RGB1W20(C)	AlGaInP	Red	Water Clear	625	1500	2000	20
	InGaN	Pure Green		525	4000	4500	20
	InGaN	Blue		465	1500	2000	20
AC-50RGB1M40(C)	AlGaInP	Red	Milky	625	200	500	40
	InGaN	Pure Green		525	400	600	40
	InGaN	Blue		465	200	500	40

Notes:

1. All dimensions are in millimeters (inches).
2. Tolerance is $\pm 0.25\text{mm}(0.01\text{'})$ unless otherwise noted.

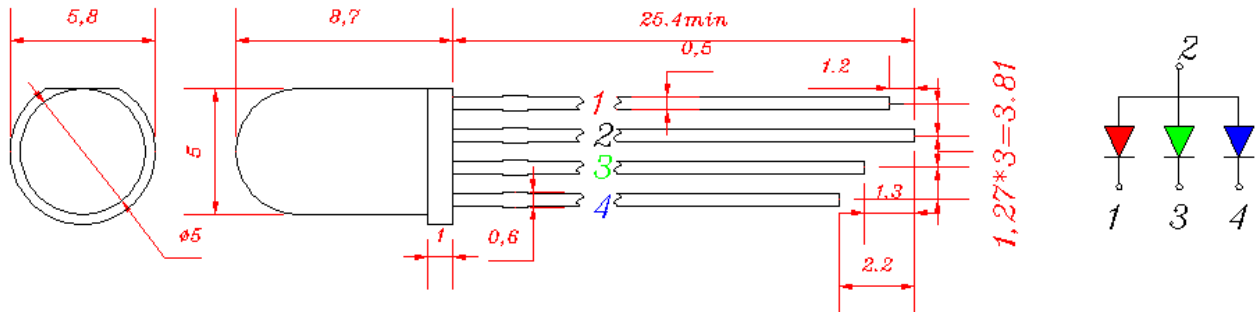


ABC COIL ELECTRONIC LIMITED

<https://www.abccoil.com>

email: sales@abccoil.com

THROUGH-HOLE LED



P/N	DICE MATERIALS	EMITTED COLOR	LENS COLOR	λ D (nm)	Iv(mcd) @60mA		VIEW ANGLE
					MIN.	TYP.	
AC-50RGB1W20(A)	AlGaInP	Red	Water Clear	625	1500	2000	20
	InGaN	Pure Green		525	4000	4500	20
	InGaN	Blue		465	1500	2000	20
AC-50RGB1M40(A)	AlGaInP	Red	Milky	625	200	500	40
	InGaN	Pure Green		525	400	600	40
	InGaN	Blue		465	200	500	40

Notes:

1. All dimensions are in millimeters (inches).
2. Tolerance is $\pm 0.25\text{mm}(0.01\text{'})$ unless otherwise noted.

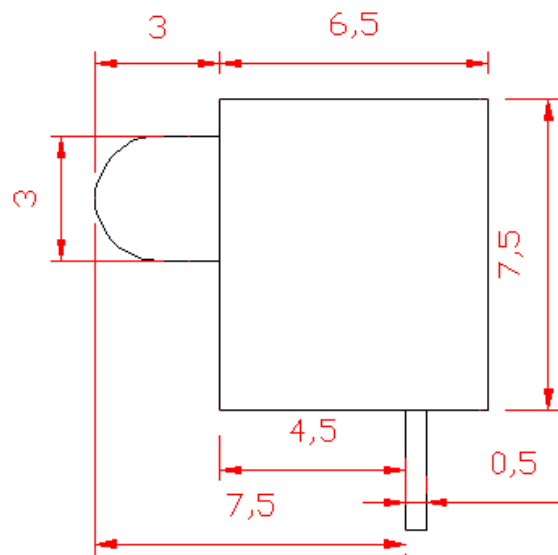
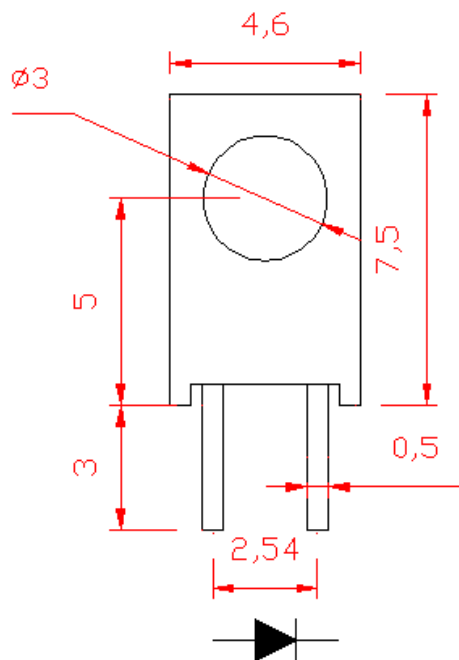


ABC COIL ELECTRONIC LIMITED

<https://www.abccoil.com>

email: sales@abccoil.com

THROUGH-HOLE LED



P/N	DICE MATERIALS	EMITTED COLOR	LENS COLOR	λ D (nm)	Iv(mcd) @20mA		VIEW ANGLE
					MIN.	TYP.	
AC-31SR1D50-30H	AlGaAs	Red	Red Diffused	645	10	30	50
AC-31UR1D50-150H	AlGaInP	Red	Red Diffused	625	80	150	50
AC-31UA2D50-200H	AlGaInP	Amber	Orange Diffused	605	100	200	50
AC-31UY2D50-200H	AlGaInP	Yellow	Yellow Diffused	592	100	200	50
AC-31UG1D50-200H	AlGaInP	Yellow Green	Green Diffused	572	100	200	50
AC-31PG24D50-800H	InGaN	Pure Green	Green Diffused	525	500	800	50
AC-31BL1D50-200H	InGaN	Blue	Blue Diffused	465	100	200	50
AC-31PW1M60-800H	InGaN	White	Milky	6000k	500	800	60

Notes:

1. All dimensions are in millimeters (inches).
2. Tolerance is $\pm 0.25\text{mm}(0.01\text{'})$ unless otherwise noted.

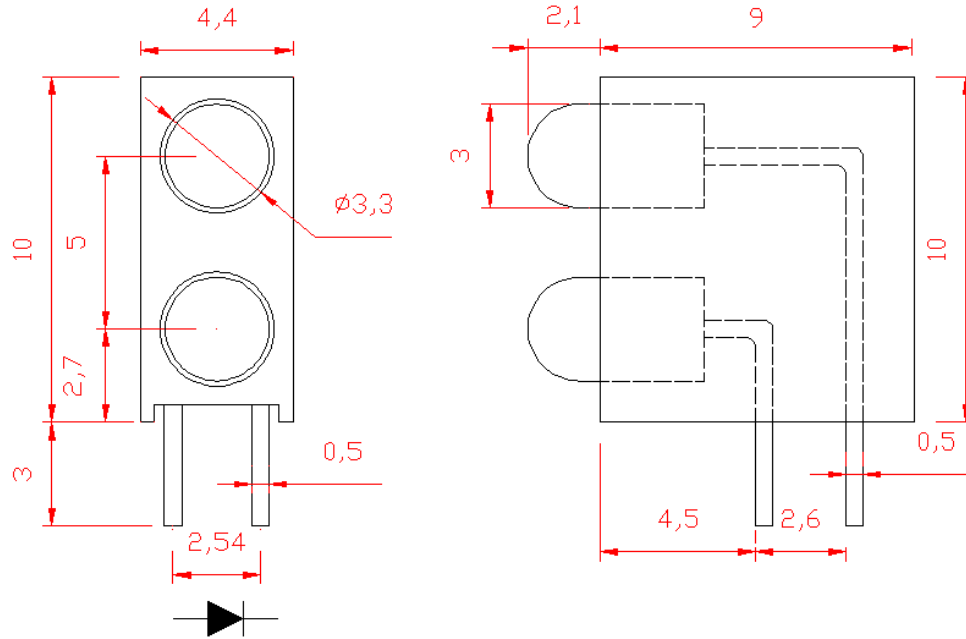


ABC COIL ELECTRONIC LIMITED

<https://www.abccoil.com>

email: sales@abccoil.com

THROUGH-HOLE LED



P/N	DICE MATERIALS	EMITTED COLOR	LENS COLOR	λ D (nm)	Iv(mcd) @20mA		VIEW ANGLE
					MIN.	TYP.	
AC-31SR1SR1D50-30H	AlGaAs	Red	Red Diffused	645	10	30	50
AC-31UR2UR2D50-150H	AlGaInP	Red	Red Diffused	625	80	150	50
AC-31UA2UA2D50-200H	AlGaInP	Amber	Orange Diffused	605	100	200	50
AC-31UY2UY2D50-200H	AlGaInP	Yellow	Yellow Diffused	592	100	200	50
AC-31UG1UG1D50-200H	AlGaInP	Yellow Green	Green Diffused	572	100	200	50
AC-31PG24PG24D50-800H	InGaN	Pure Green	Green Diffused	525	500	800	50
AC-31BL1BL1D50-200H	InGaN	Blue	Blue Diffused	465	100	200	50
AC-31PW1PW1D50-800H	InGaN	White	Milky	6000k	500	800	60

Notes:

1. All dimensions are in millimeters (inches).
2. Tolerance is $\pm 0.25\text{mm}$ (0.01") unless otherwise noted.

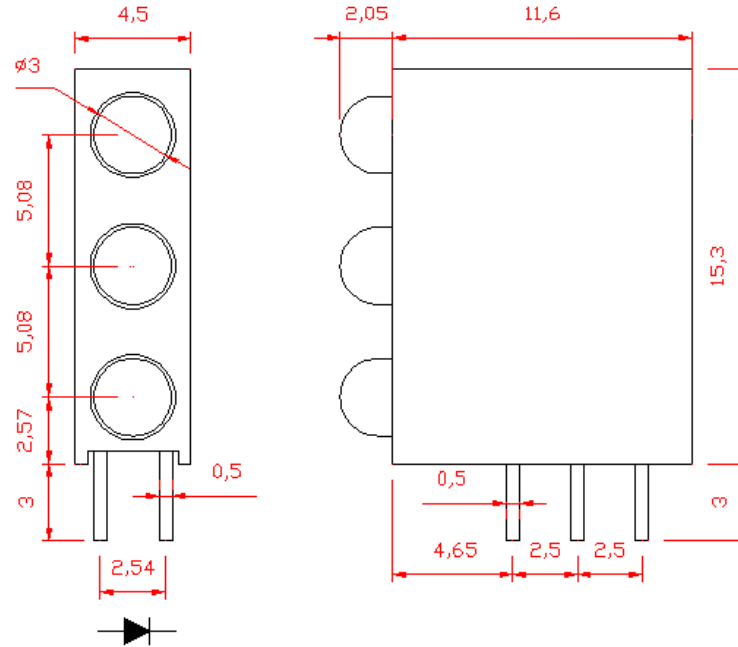


ABC COIL ELECTRONIC LIMITED

<https://www.abccoil.com>

email: sales@abccoil.com

THROUGH-HOLE LED



P/N	DICE MATERIALS	EMITTED COLOR	LENS COLOR	λ D (nm)	Iv(mcd) @20mA		VIEW ANGLE
					MIN.	TYP.	
AC-30SSR1SR1SR1D50-30H	AlGaAs	Red	Red Diffused	645	10	30	50
AC-30SUR2UR2UR2D50-150H	AlGaInP	Red	Red Diffused	625	80	150	50
AC-30SUA2UA2UA2D50-200H	AlGaInP	Amber	Orange Diffused	605	100	200	50
AC-30SUY2UY2UY2D50-200H	AlGaInP	Yellow	Yellow Diffused	592	100	200	50
AC-30SUG1UG1UG1D50-200H	AlGaInP	Yellow Green	Green Diffused	572	100	200	50
AC-30SPG24PG24PG24D50-800H	InGaN	Pure Green	Green Diffused	525	500	800	50
AC-30SBL1BL1BL1D50-200H	InGaN	Blue	Blue Diffused	465	100	200	50
AC-30SPW1PW1PW1D50-800H	InGaN	White	Milky	6000k	500	800	60

Notes:

1. All dimensions are in millimeters (inches).
2. Tolerance is $\pm 0.25\text{mm}(0.01\text{'})$ unless otherwise noted.

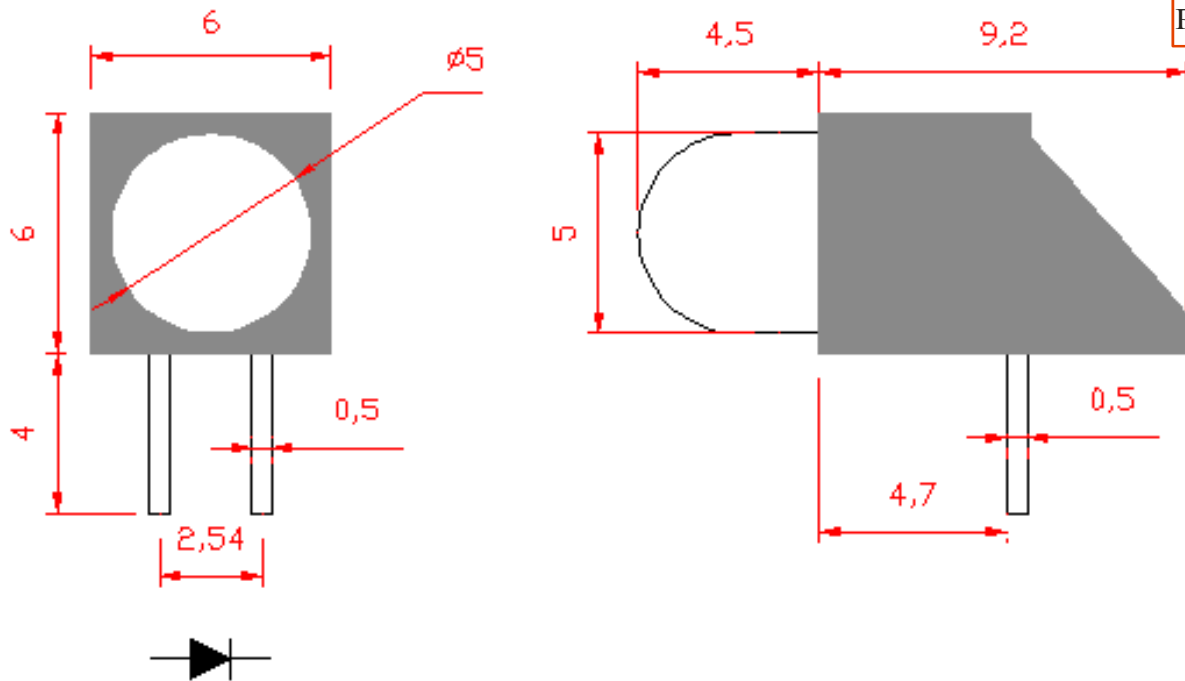


ABC COIL ELECTRONIC LIMITED

<https://www.abccoil.com>

email: sales@abccoil.com

THROUGH-HOLE LED



P/N	DICE MATERIALS	EMITTED COLOR	LENS COLOR	λ D (nm)	Iv(mcd) @20mA		VIEW ANGLE
					MIN.	TYP.	
AC-51SR1D30-50H	AlGaAs	Red	Red Diffused	645	20	50	30
AC-51UR2D30-500H	AlGaInP	Red	Red Diffused	625	200	500	30
AC-51UA2D30-500H	AlGaInP	Amber	Orange Diffused	605	200	500	30
AC-51UY2D30-500H	AlGaInP	Yellow	Yellow Diffused	592	200	500	30
AC-51UG1D30-500H	AlGaInP	Yellow Green	Green Diffused	572	200	500	30
AC-51PG24D30-1000H	InGaN	Pure Green	Green Diffused	525	500	1000	30
AC-51BL1D30-500H	InGaN	Blue	Blue Diffused	465	200	500	30
AC-51PW1M30-1000H	InGaN	White	Milky	6000k	500	1000	30

Notes:

1. All dimensions are in millimeters (inches).
2. Tolerance is $\pm 0.25\text{mm}(0.01")$ unless otherwise noted.

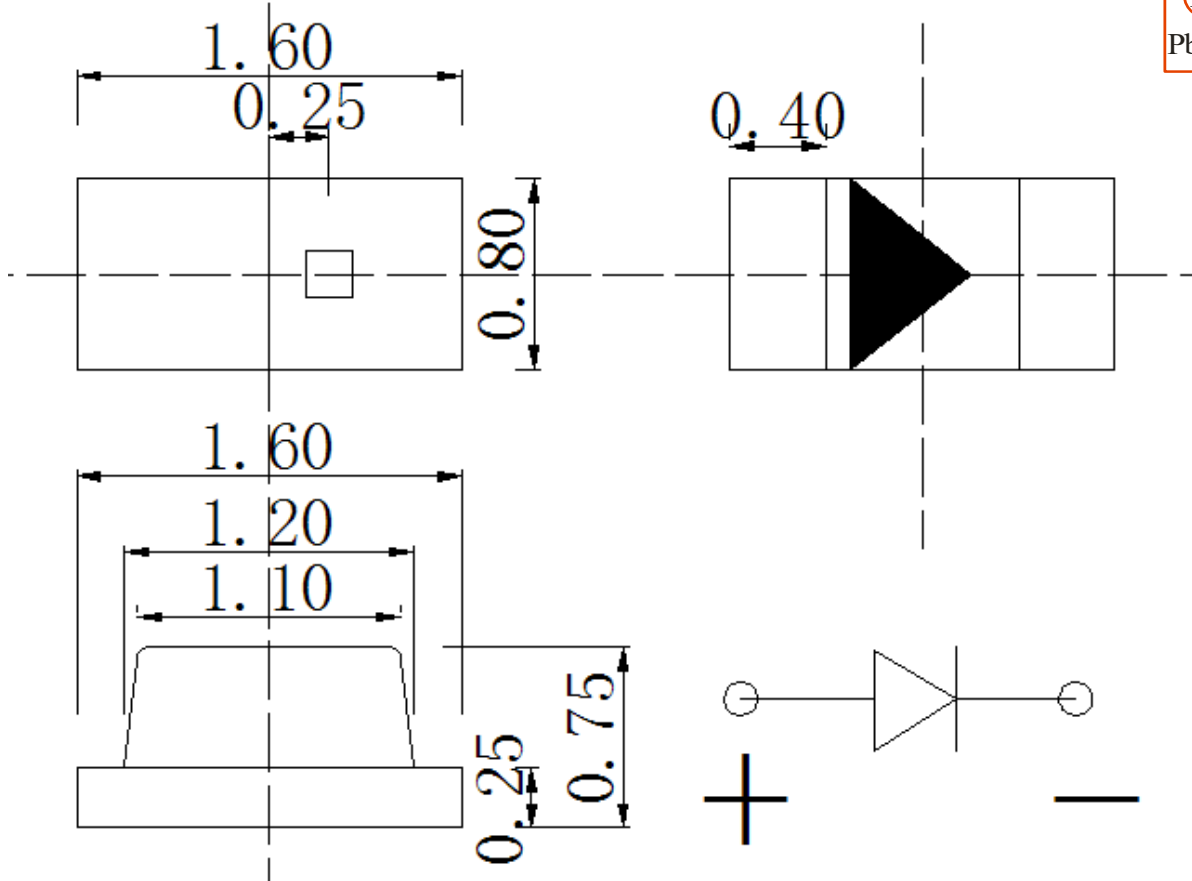


ABC COIL ELECTRONIC LIMITED

<https://www.abccoil.com>

email: sales@abccoil.com

THROUGH-HOLE LED



P/N	DICE MATERIALS	EMITTED COLOR	LENS COLOR	λ D (nm)	Iv(mcd) @20mA		VIEW ANGLE
					MIN.	TYP.	
AC-0603UR1	AlGaInP	Red	Water Clear	625	50	100	120
AC-0603UA1	AlGaInP	Amber	Water Clear	605	50	100	120
AC-0603UY1	AlGaInP	Yellow	Water Clear	592	50	100	120
AC-0603UG1	AlGaInP	Yellow Green	Water Clear	572	50	100	120
AC-0603PG1	InGaN	Pure Green	Water Clear	525	120	200	120
AC-0603BL1	InGaN	Blue	Water Clear	465	120	200	120
AC-0603PW1	InGaN	White	Water Clear	6000k	300	500	120
AC-0603WW1	InGaN	White	Water Clear	3200k	300	500	120

Notes:

1. All dimensions are in millimeters (inches).
2. Tolerance is $\pm 0.25\text{mm}(0.01\text{'})$ unless otherwise noted.