

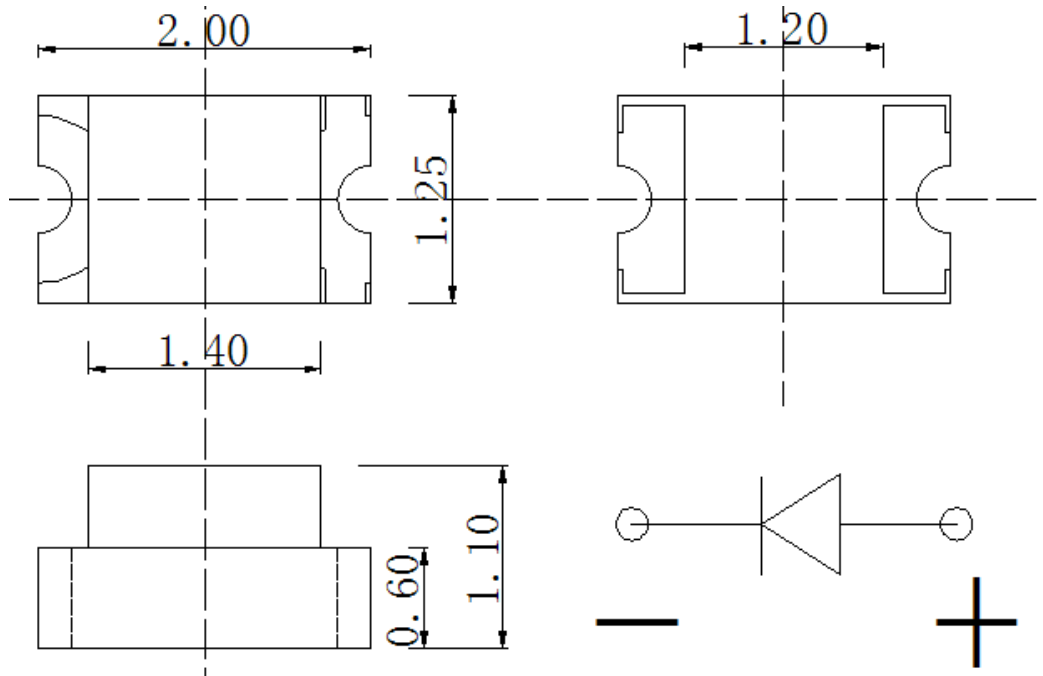


ABC COIL ELECTRONIC LIMITED

<https://www.abccoil.com>

email: sales@abccoil.com

THROUGH-HOLE LED



P/N	DICE MATERIALS	EMITTED COLOR	LENS COLOR	λ D (nm)	Iv(mcd) @20mA		VIEW ANGLE
					MIN.	TYP.	
AC-0805UR1	AlGaInP	Red	Water Clear	625	15	120	140
AC-0805UA1	AlGaInP	Amber	Water Clear	605	15	100	140
AC-0805UY1	AlGaInP	Yellow	Water Clear	592	15	145	140
AC-0805UG1	AlGaInP	Yellow Green	Water Clear	572	15	50	140
AC-0805PG1	InGaN	Pure Green	Water Clear	525	300	1000	140
AC-0805BL1	InGaN	Blue	Water Clear	465	50	200	140
AC-0805PW1	InGaN	White	Water Clear	6000k	500	1000	140
AC-0805WW1	InGaN	White	Water Clear	3200k	500	1000	140

Notes:

1. All dimensions are in millimeters (inches).
2. Tolerance is $\pm 0.25\text{mm}(0.01\text{'})$ unless otherwise noted.

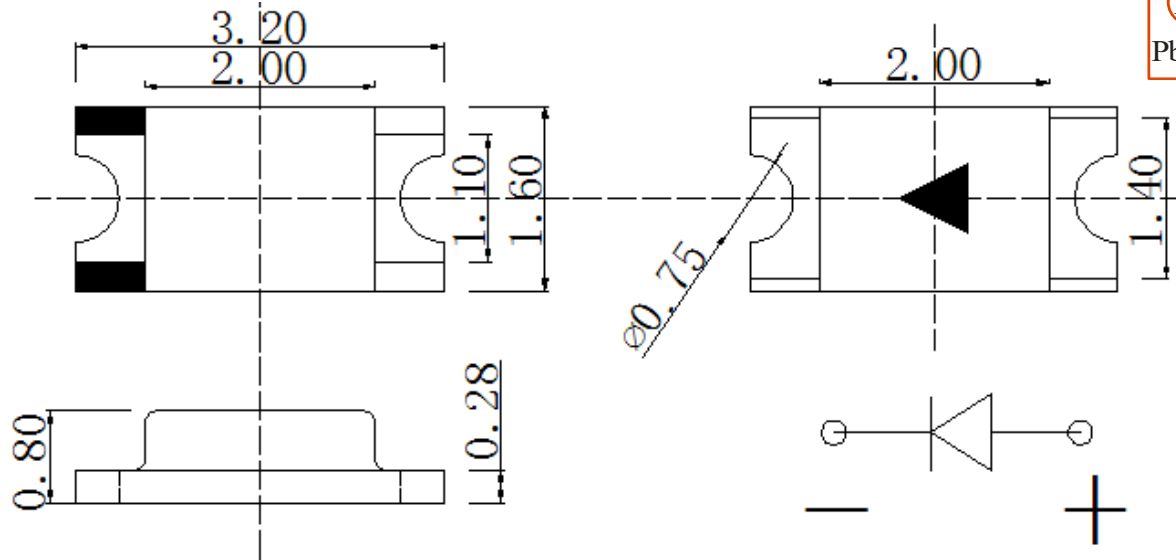


ABC COIL ELECTRONIC LIMITED

<https://www.abccoil.com>

email: sales@abccoil.com

THROUGH-HOLE LED



P/N	DICE MATERIALS	EMITTED COLOR	LENS COLOR	λ D (nm)	Iv(mcd) @20mA		VIEW ANGLE
					MIN.	TYP.	
AC-1206UR1	AlGaInP	Red	Water Clear	625	15	120	120
AC-1206UA1	AlGaInP	Amber	Water Clear	605	15	100	120
AC-1206UY1	AlGaInP	Yellow	Water Clear	592	15	145	120
AC-1206UG1	AlGaInP	Yellow Green	Water Clear	572	15	50	120
AC-1206PG1	InGaN	Pure Green	Water Clear	525	300	1000	120
AC-1206BL1	InGaN	Blue	Water Clear	465	50	200	120
AC-1206PW1	InGaN	White	Water Clear	6000k	500	1000	120
AC-1206WW1	InGaN	White	Water Clear	3200k	500	1000	120

Notes:

1. All dimensions are in millimeters (inches).
2. Tolerance is $\pm 0.25\text{mm}$ (0.01") unless otherwise noted.

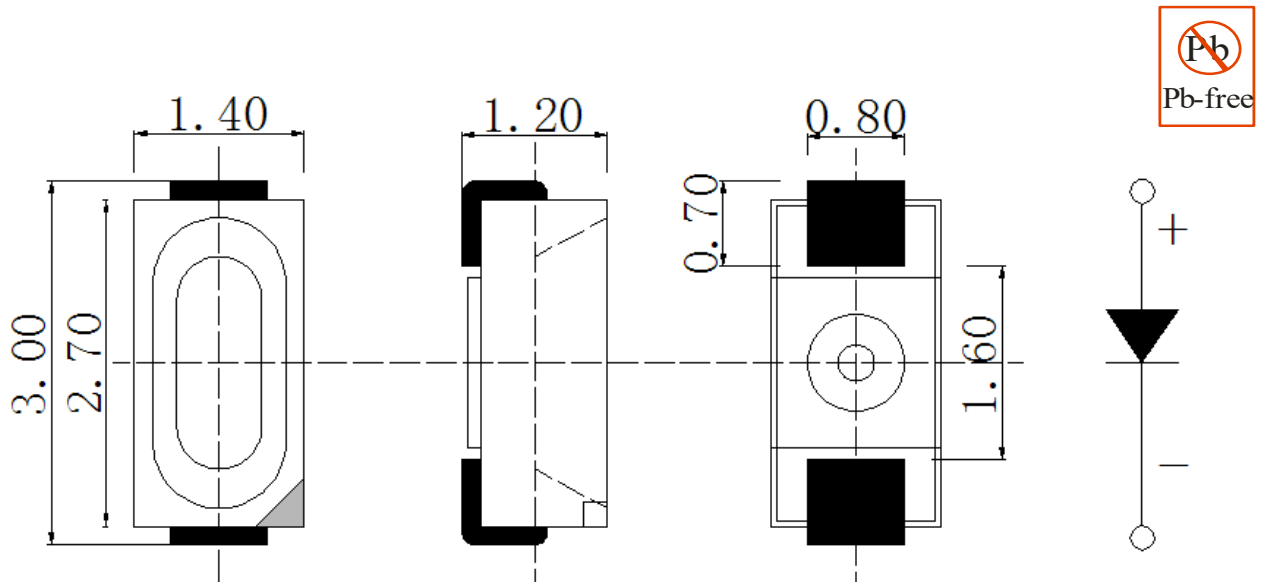


ABC COIL ELECTRONIC LIMITED

<https://www.abccoil.com>

email: sales@abccoil.com

THROUGH-HOLE LED



P/N	DICE MATERIALS	EMITTED COLOR	LENS COLOR	λ D (nm)	Iv(mcd) @20mA		VIEW ANGLE
					MIN.	TYP.	
AC-3014UR1	AlGaInP	Red	Water Clear	625	30	500	120
AC-3014UA1	AlGaInP	Amber	Water Clear	605	30	100	120
AC-3014UY1	AlGaInP	Yellow	Water Clear	592	30	500	120
AC-3014UG1	AlGaInP	Yellow Green	Water Clear	572	30	100	120
AC-3014PG1	InGaN	Pure Green	Water Clear	525	300	800	120
AC-3014BL1	InGaN	Blue	Water Clear	465	50	200	120
AC-3014PW1	InGaN	White	Water Clear	6000k	800	1500	120
AC-3014WW1	InGaN	White	Water Clear	3200k	800	1500	120

Notes:

1. All dimensions are in millimeters (inches).
2. Tolerance is $\pm 0.25\text{mm}(0.01\text{'})$ unless otherwise noted.

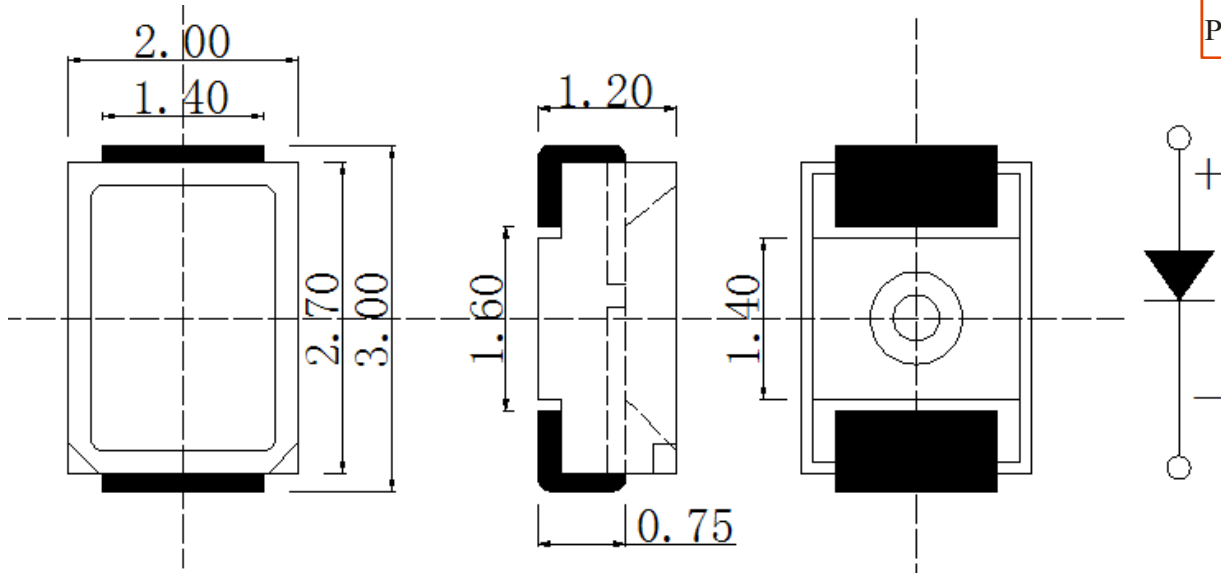


ABC COIL ELECTRONIC LIMITED

<https://www.abccoil.com>

email: sales@abccoil.com

THROUGH-HOLE LED



P/N	DICE MATERIALS	EMITTED COLOR	LENS COLOR	λ D (nm)	Iv(mcd) @20mA		VIEW ANGLE
					MIN.	TYP.	
AC-3020UR1	AlGaInP	Red	Water Clear	625	30	500	120
AC-3020UA1	AlGaInP	Amber	Water Clear	605	30	100	120
AC-3020UY1	AlGaInP	Yellow	Water Clear	592	30	500	120
AC-3020UG1	AlGaInP	Yellow Green	Water Clear	572	30	100	120
AC-3020PG1	InGaN	Pure Green	Water Clear	525	300	800	120
AC-3020BL1	InGaN	Blue	Water Clear	465	50	200	120
AC-3020PW1	InGaN	White	Water Clear	6000k	1000	1500	120
AC-3020WW1	InGaN	White	Water Clear	3200k	1000	1500	120

Notes:

1. All dimensions are in millimeters (inches).
2. Tolerance is $\pm 0.25\text{mm}(0.01\text{'})$ unless otherwise noted.

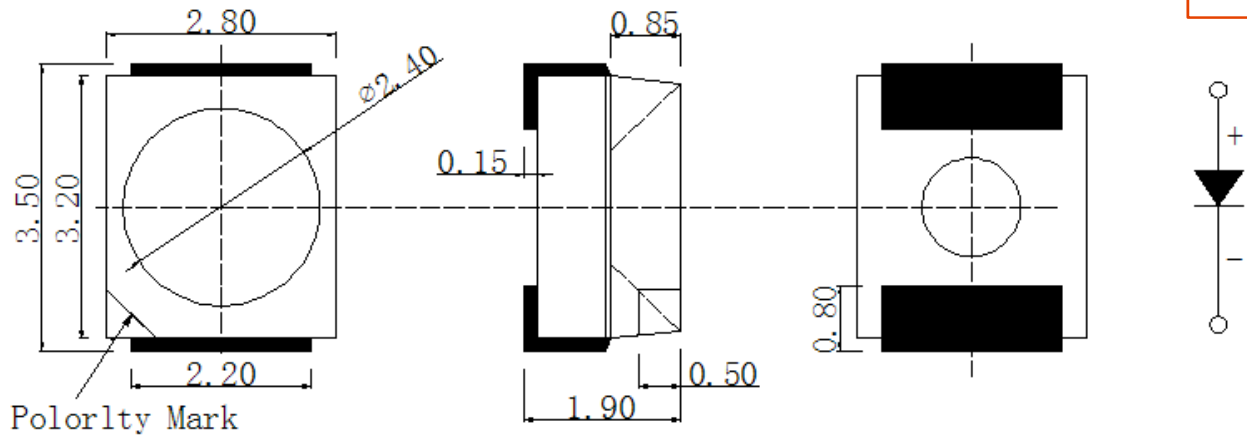


ABC COIL ELECTRONIC LIMITED

<https://www.abccoil.com>

email: sales@abccoil.com

THROUGH-HOLE LED



P/N	DICE MATERIALS	EMITTED COLOR	LENS COLOR	λ D (nm)	Iv(mcd) @20mA		VIEW ANGLE
					MIN.	TYP.	
AC-3528UR1	AlGaInP	Red	Water Clear	625	100	500	120
AC-3528UA1	AlGaInP	Amber	Water Clear	605	30	100	120
AC-3528UY1	AlGaInP	Yellow	Water Clear	592	100	500	120
AC-3528UG1	AlGaInP	Yellow Green	Water Clear	572	30	100	120
AC-3528PG1	InGaN	Pure Green	Water Clear	525	300	800	120
AC-3528BL1	InGaN	Blue	Water Clear	465	100	300	120
AC-3528PW1	InGaN	White	Water Clear	6000k	1000	2000	120
AC-3528WW1	InGaN	White	Water Clear	3200k	1000	2000	120

Notes:

1. All dimensions are in millimeters (inches).
2. Tolerance is $\pm 0.25\text{mm}(0.01\text{'})$ unless otherwise noted.

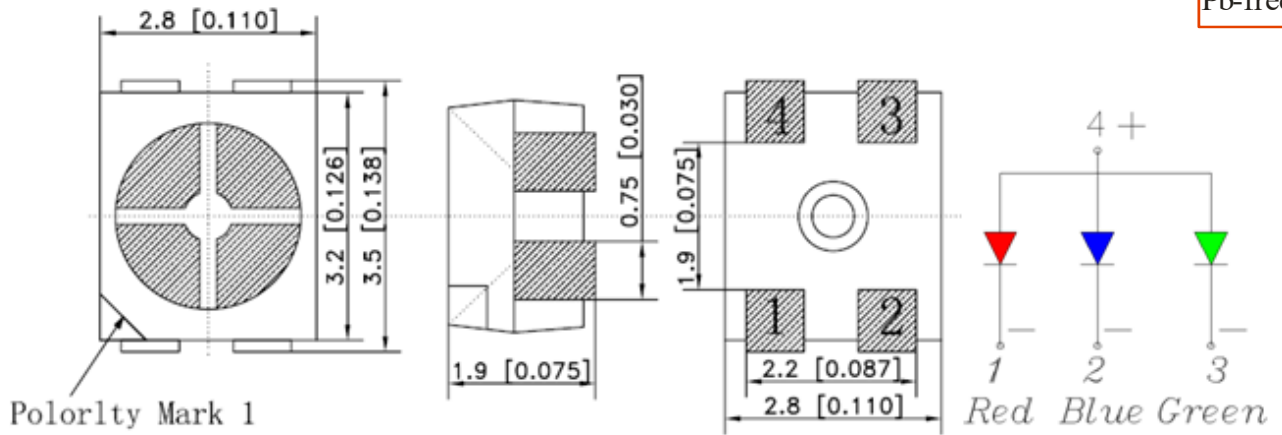


ABC COIL ELECTRONIC LIMITED

<https://www.abccoil.com>

email: sales@abccoil.com

THROUGH-HOLE LED



P/N	DICE MATERIALS	EMITTED COLOR	LENS COLOR	λ D (nm)	Iv(mcd) @60mA		VIEW ANGLE
					MIN.	TYP.	
AC-3528RGB1	AlGaInP	Red	Water Clear	625	100	500	120
	InGaN	Pure Green		525	300	800	120
	InGaN	Blue		465	100	300	120

Notes:

- All dimensions are in millimeters (inches).
- Tolerance is $\pm 0.25\text{mm}(0.01\text{'})$ unless otherwise noted.

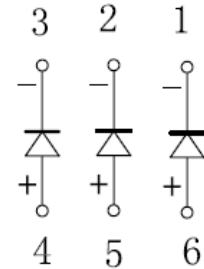
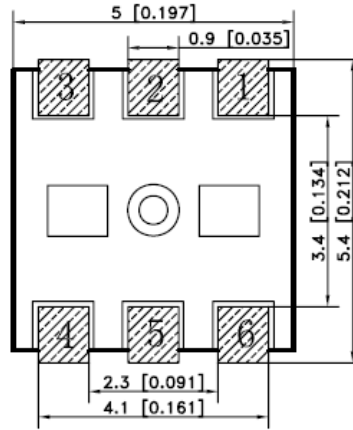
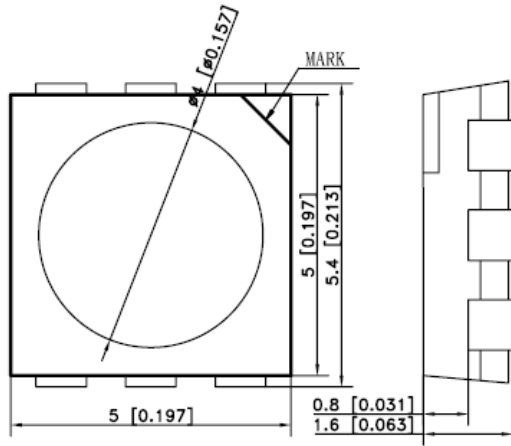


ABC COIL ELECTRONIC LIMITED

<https://www.abccoil.com>

email: sales@abccoil.com

THROUGH-HOLE LED



P/N	DICE MATERIALS	EMITTED COLOR	LENS COLOR	λ D (nm)	Iv(mcd) @60mA		VIEW ANGLE
					MIN.	TYP.	
AC-5050UR1	AlGaInP	Red	Water Clear	625	300	1000	120
AC-5050UA1	AlGaInP	Amber	Water Clear	605	80	200	120
AC-5050UY1	AlGaInP	Yellow	Water Clear	592	300	1000	120
AC-5050UG1	AlGaInP	Yellow Green	Water Clear	572	80	200	120
AC-5050PG1	InGaN	Pure Green	Water Clear	525	800	1500	120
AC-5050BL1	InGaN	Blue	Water Clear	465	300	800	120
AC-5050PW1	InGaN	White	Water Clear	6000k	3000	5000	120
AC-5050WW1	InGaN	White	Water Clear	3200k	2000	4000	120

Notes:

1. All dimensions are in millimeters (inches).
2. Tolerance is $\pm 0.25\text{mm}(0.01\text{'})$ unless otherwise noted.

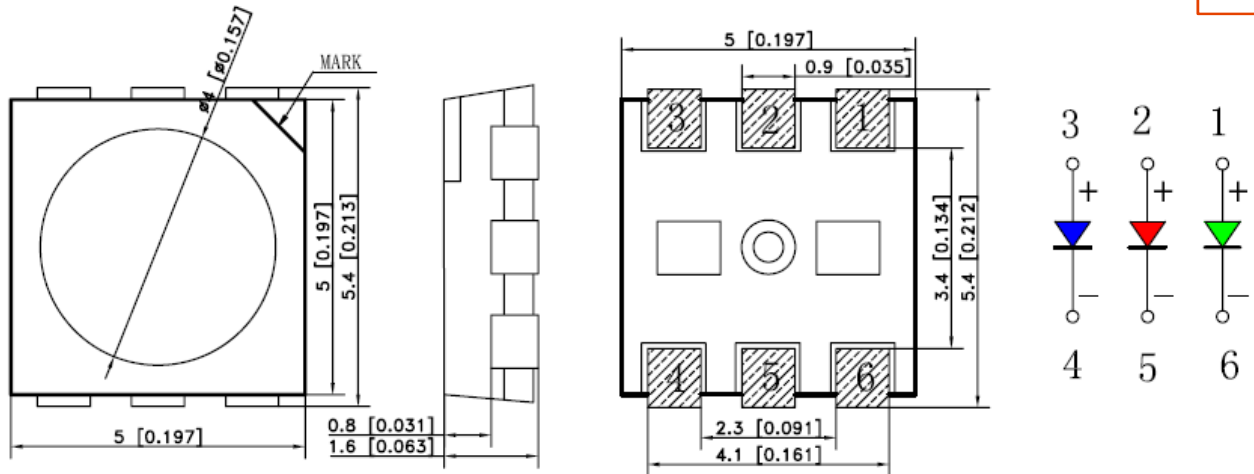


ABC COIL ELECTRONIC LIMITED

<https://www.abccoil.com>

email: sales@abccoil.com

THROUGH-HOLE LED



P/N	DICE MATERIALS	EMITTED COLOR	LENS COLOR	λ D (nm)	Iv(mcd) @60mA		VIEW ANGLE
					MIN.	TYP.	
AC-5050RGB1	AlGaInP	Red	Water Clear	625	100	500	120
	InGaN	Pure Green		525	300	800	120
	InGaN	Blue		465	100	300	120

Notes:

1. All dimensions are in millimeters (inches).
2. Tolerance is $\pm 0.25\text{mm}(0.01\text{'})$ unless otherwise noted.

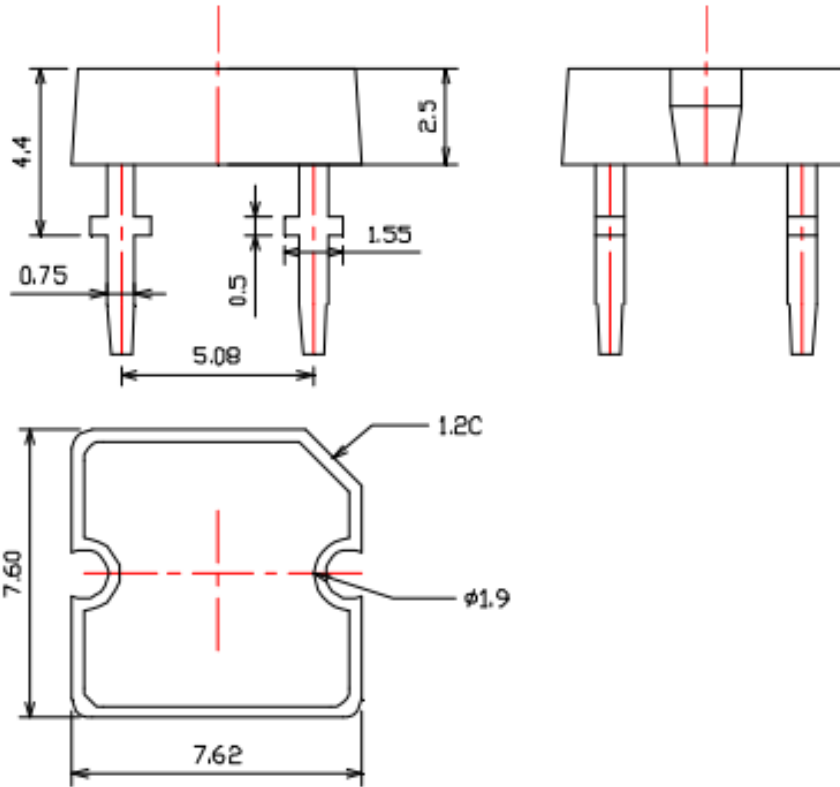


ABC COIL ELECTRONIC LIMITED

<https://www.abccoil.com>

email: sales@abccoil.com

THROUGH-HOLE LED



P/N	DICE MATERIALS	EMITTED COLOR	LENS COLOR	λ D (nm)	Iv(mcd) @20mA		VIEW ANGLE
					MIN.	TYP.	
AC-SF7620URC2	AlGaInP	Red	Water Clear	625	500	700	120
AC-SF7620UYC2	AlGaInP	Yellow	Water Clear	592	300	450	120
AC-SF7620PGC2	InGaN	Pure Green	Water Clear	525	1500	2000	120
AC-SF7620BLC2	InGaN	Blue	Water Clear	465	400	600	120
AC-SF7620PWC2	InGaN	White	Water Clear	6000k	700	1000	120

Notes:

1. All dimensions are in millimeters (inches).
2. Tolerance is $\pm 0.25\text{mm}(0.01\text{'})$ unless otherwise noted.

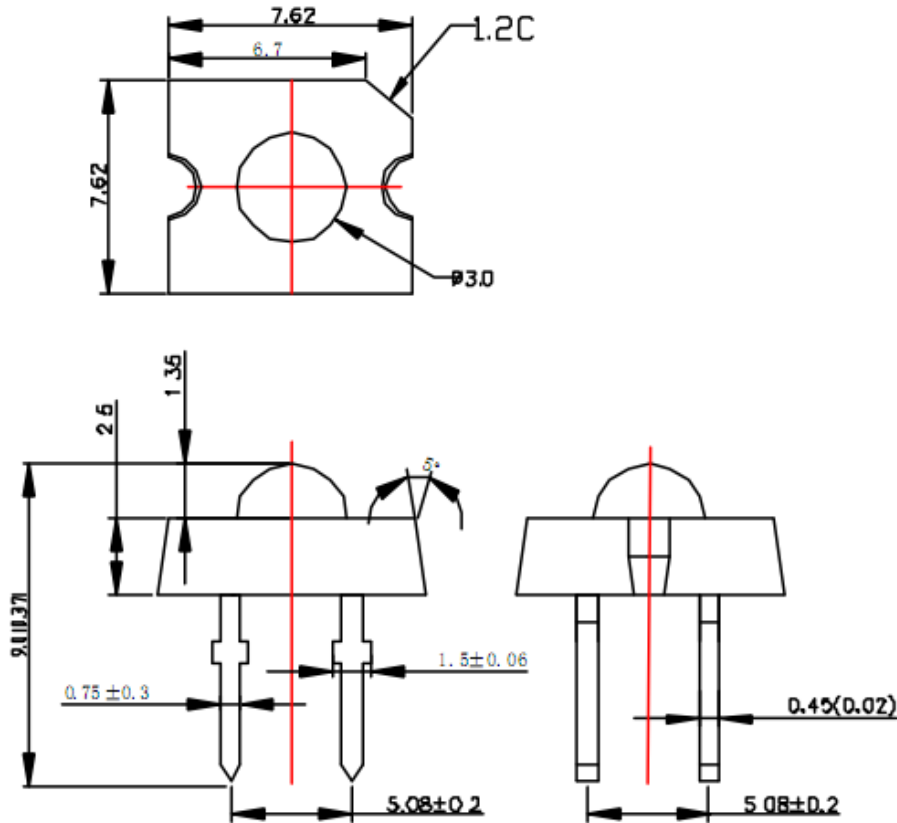


ABC COIL ELECTRONIC LIMITED

<https://www.abccoil.com>

email: sales@abccoil.com

THROUGH-HOLE LED



P/N	DICE MATERIALS	EMITTED COLOR	LENS COLOR	λ D (nm)	Iv(mcd) @20mA		VIEW ANGLE
					MIN.	TYP.	
AC-SF7623URC3	AlGaInP	Red	Water Clear	625	900	1200	110
AC-SF7623UYC3	AlGaInP	Yellow	Water Clear	592	900	1200	100
AC-SF7623PGC3	InGaN	Pure Green	Water Clear	525	1000	1500	80
AC-SF7623BLC3	InGaN	Blue	Water Clear	465	500	700	70
AC-SF7623PWC3	InGaN	White	Water Clear	6000K	3000	4500	80

Notes:

1. All dimensions are in millimeters (inches).
2. Tolerance is $\pm 0.25\text{mm}(0.01\text{'})$ unless otherwise noted.